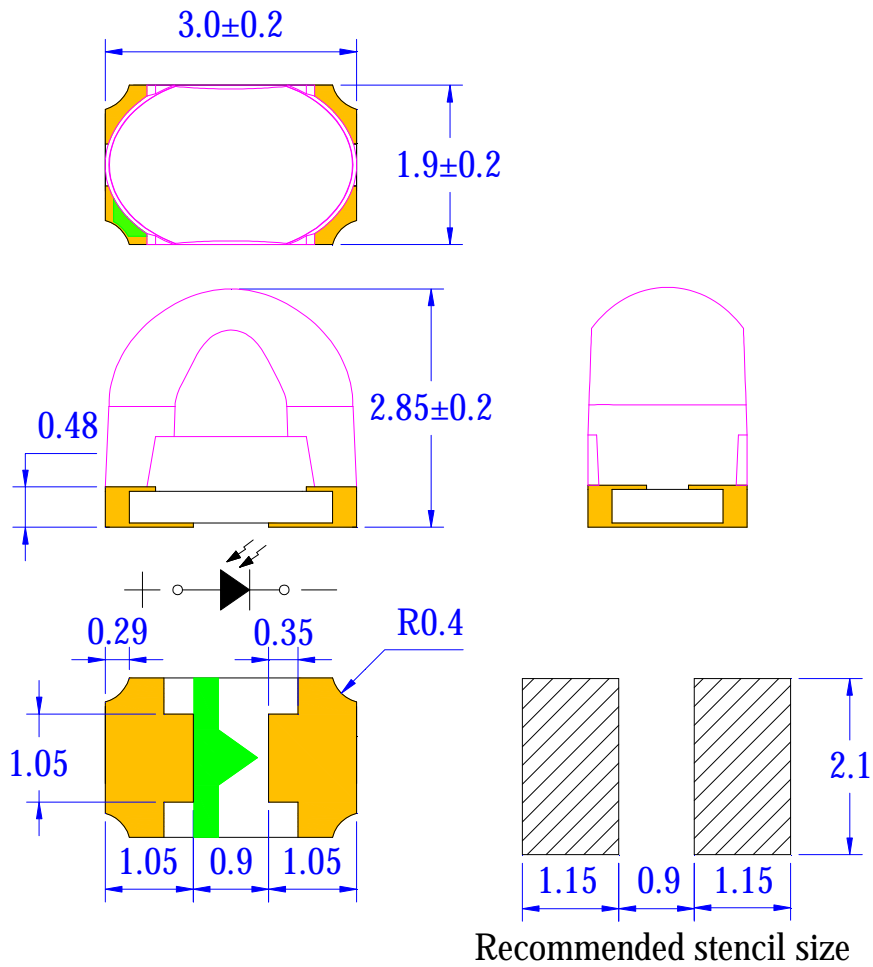


--	--	--	--

Pb free product—RoHS compliant  
 High Photo Sensitivity  
 Reliable and rugged  
 Long life – solid state reliability  
 Sensitivity angle: 90°



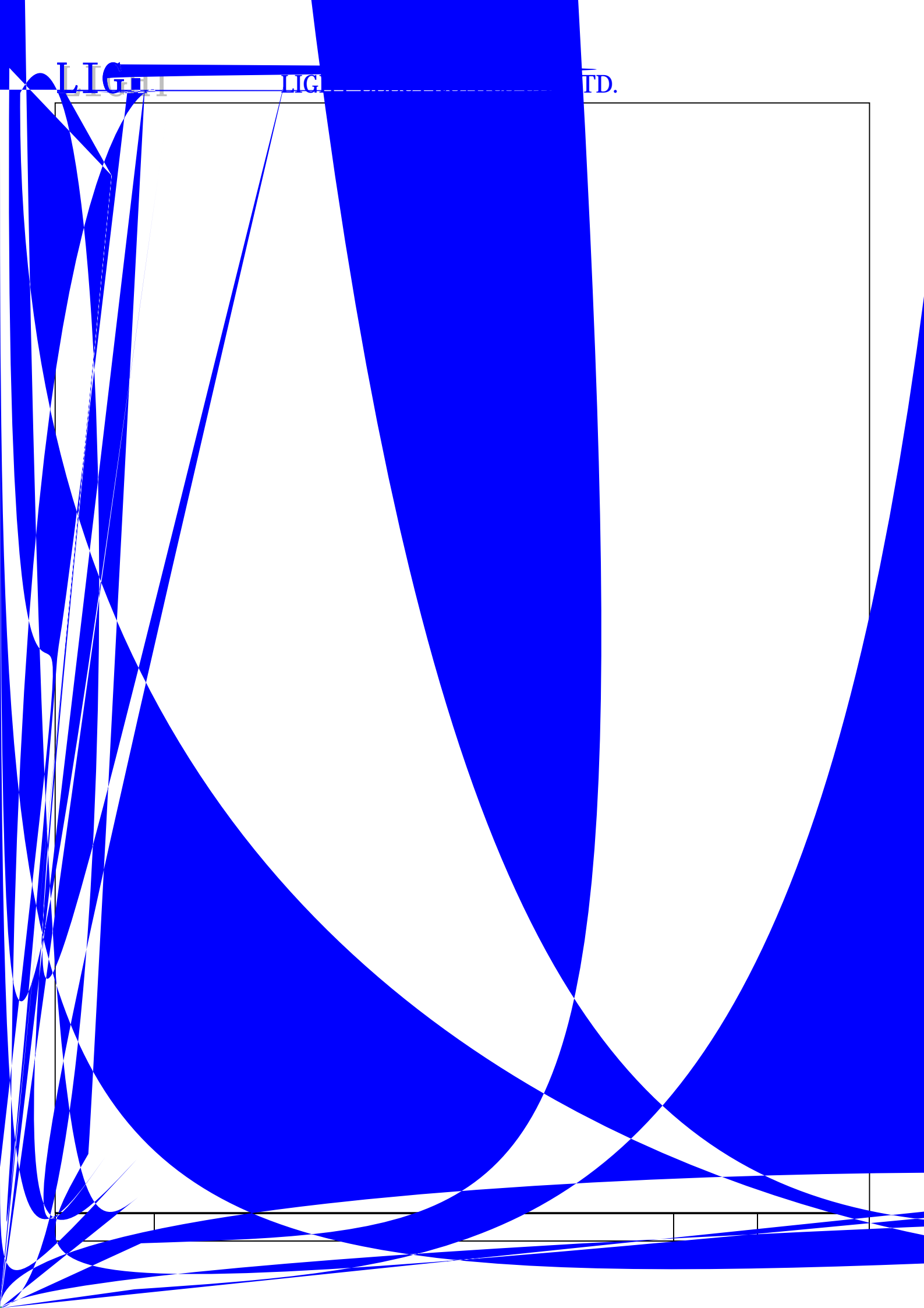
Part NO.	Chip Material	Lens Color
SL-T3020PDB020-L285-E-S	Silicon	Black

1. All dimensions are in millimeters.
2. Tolerance is  $\pm 0.10$ mm unless otherwise noted.
3. Specifications are subject to change without notice.

LIGHT

LIG

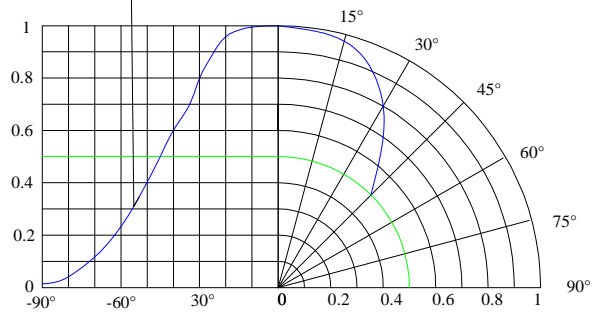
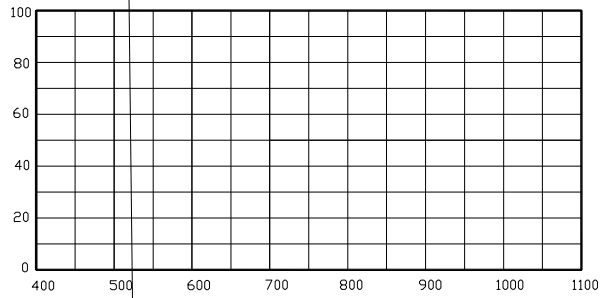
TD.





--	--	--	--

--	--	--	--



### Reverse Light Current( $I_L$ ) Bin Code ( $V_R=5V$ , $E_e=1mW/cm^2$ , $p=940nm$ )

BIN CODE	Min.( $\mu A$ )	Max.( $\mu A$ )

The  $I_L$  guarantee should be added  $\pm 15\%$  tolerance.

LIGHT ELECTRONICS CO., LTD.

## Carrier Tape Specifications (Loaded Quantity: 5000pcs/reel)

Tolerance unless mentioned is  $\pm 0.1$ mm; Unit = mm

## Moisture Resistant Packaging

0.1mm

LI

LIGHT ELECTRONICS CO., LTD.

