

# **SL-T2835WD060-L70-A-XX**

## **DATA SHEET**

SPEC.NO.: SZ22081701  
DATE: 2022/08/17  
REV.: A/0

Approved By:

Checked By:

Prepared By:

**LIGHT**

---

:

F : K 4) : 1

: I : : KB = 8 M M 10 C N  
K K

F : K 4) : 1

Forward Current

\*Pulse Forward Current\*

Power Dissipation

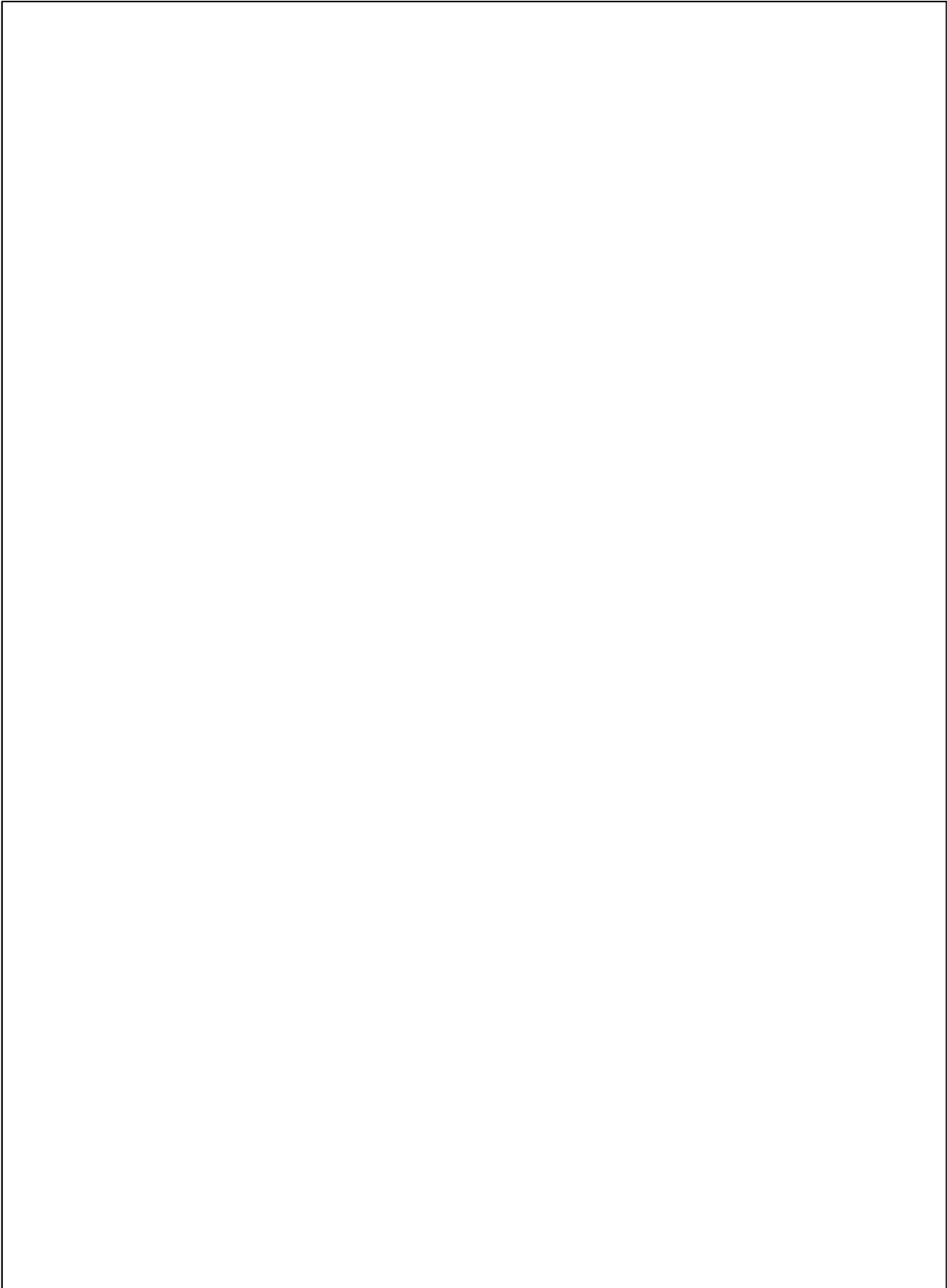
Operating Temperature

Storage Temperature

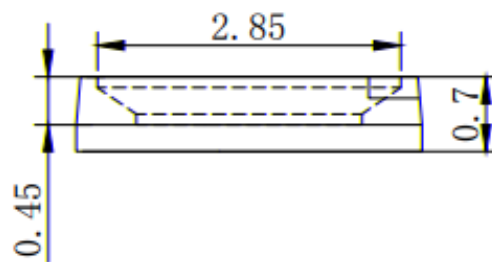
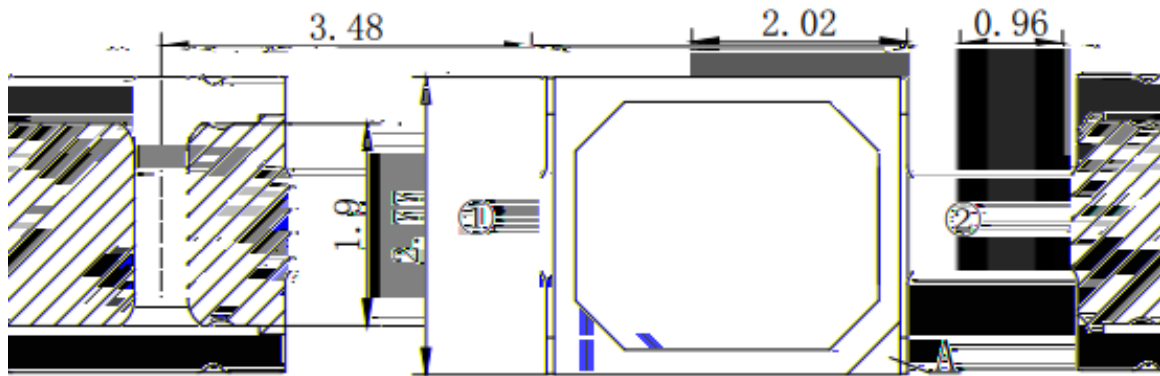
Junction Temperature

Welding temperature





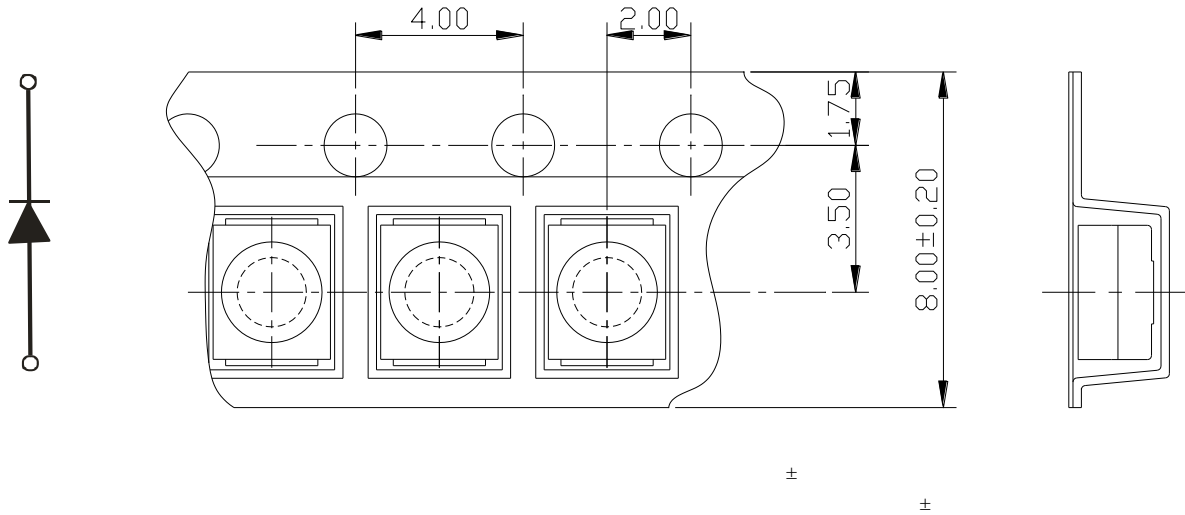
F



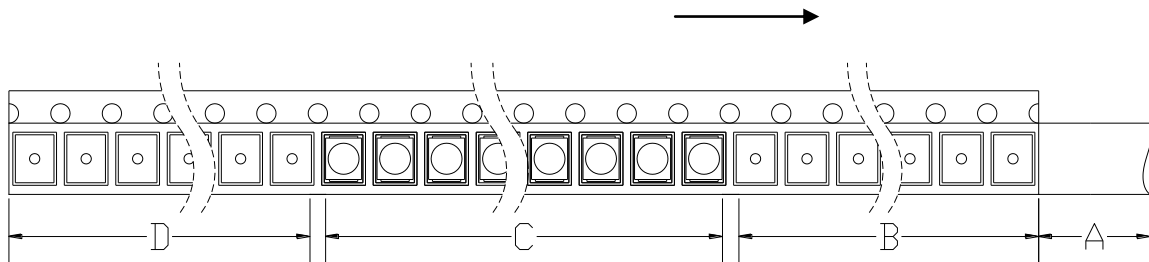
Polarity

**G**

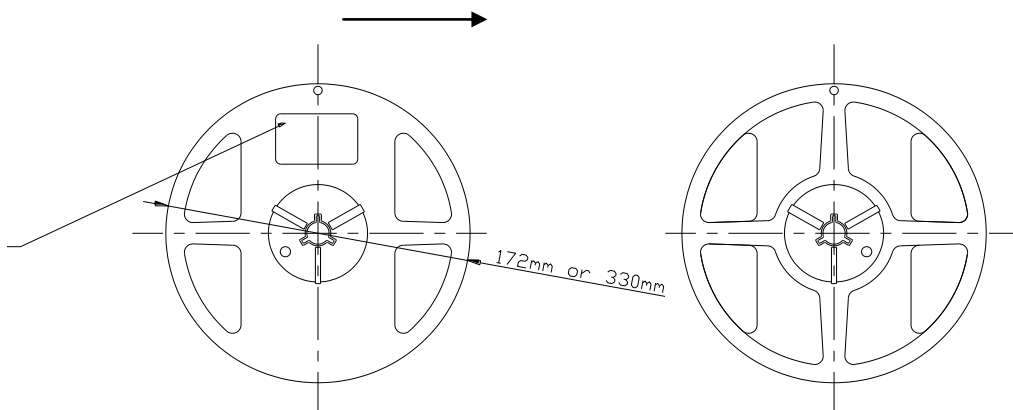
◇ : **K**



◇ **F** : **K**

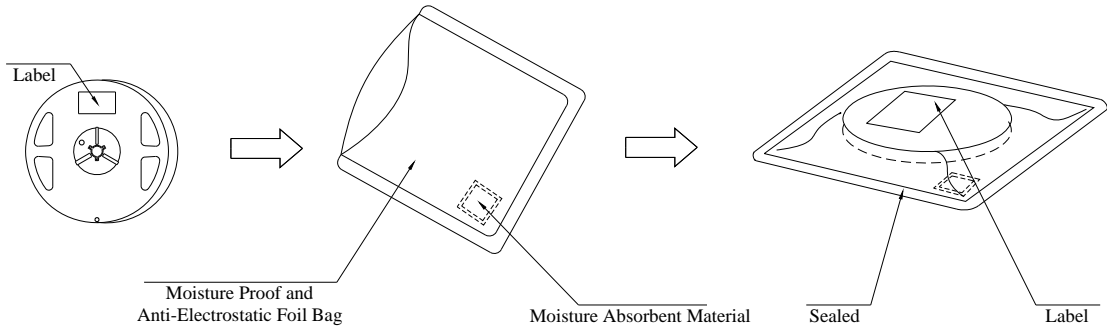


◇ **I**

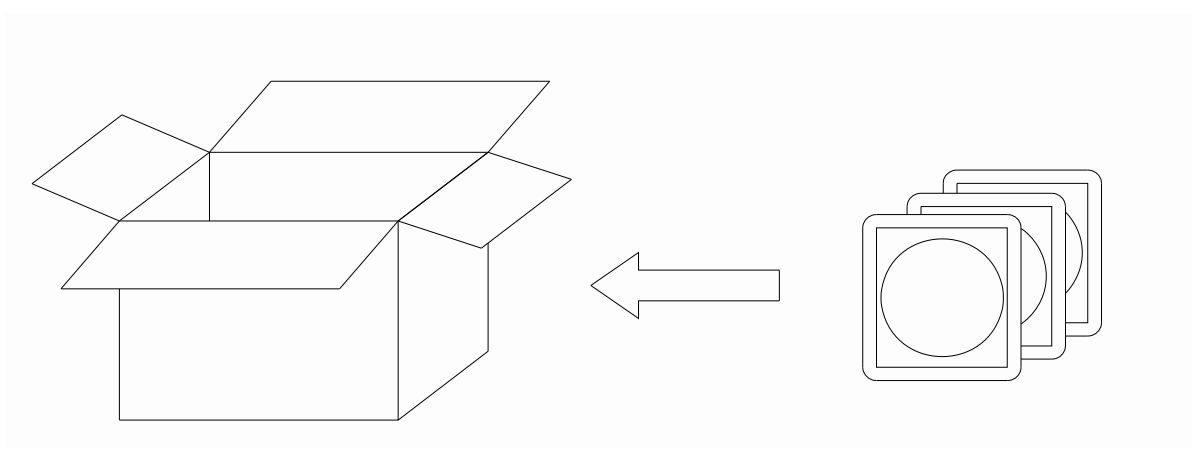




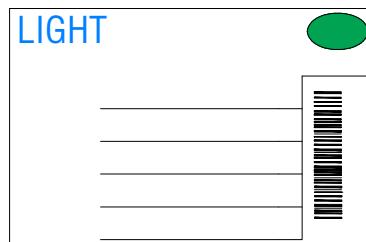
### Moisture Proof and Anti-Electrostatic Foil Bag



### Cardboard Box

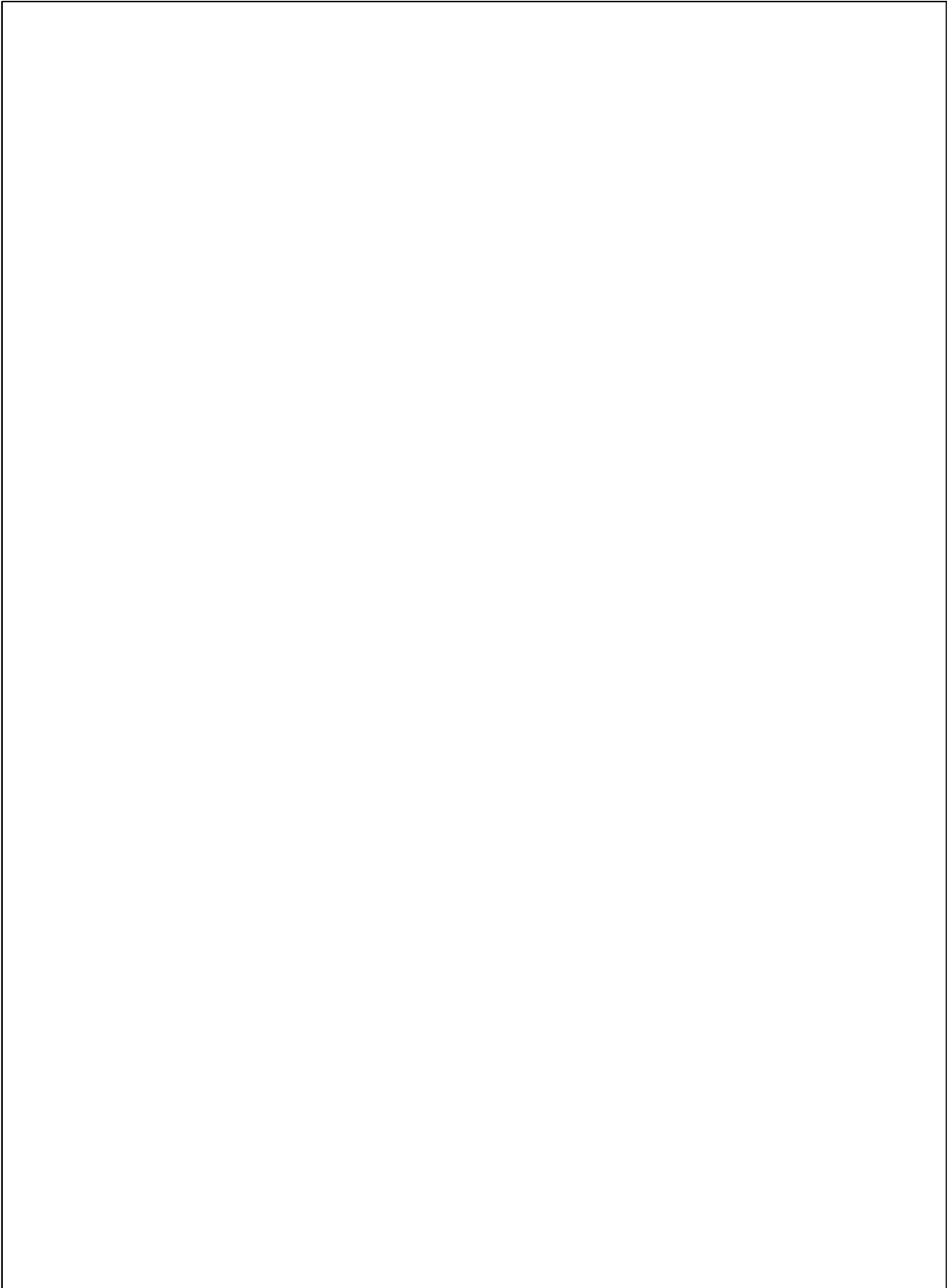


### Label Explanation



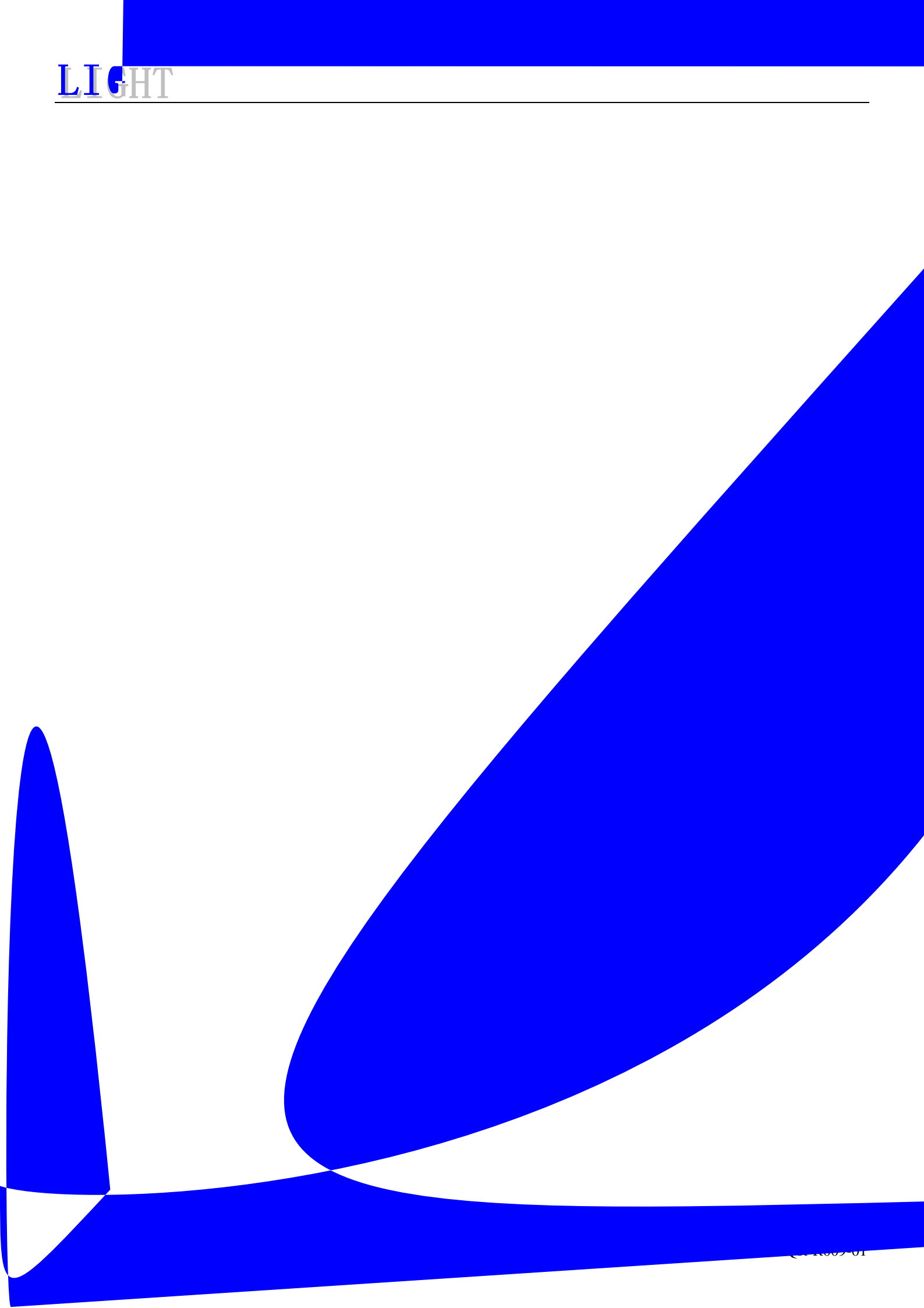

# LIGHT

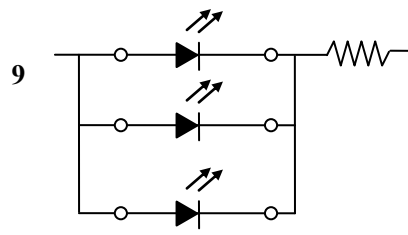
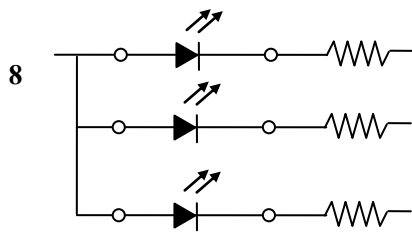
---



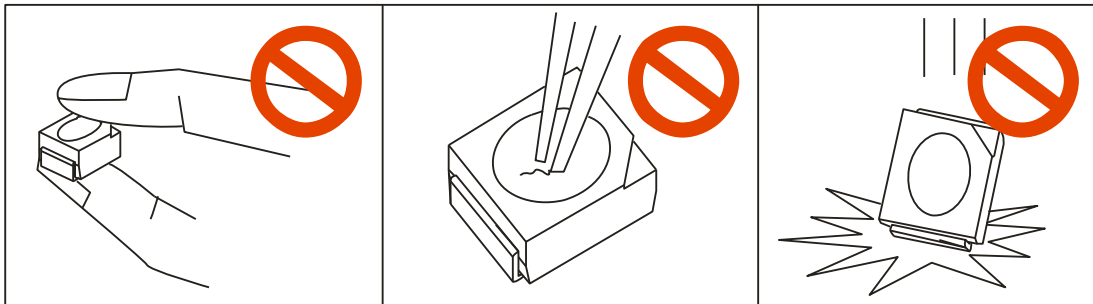
ITG







F



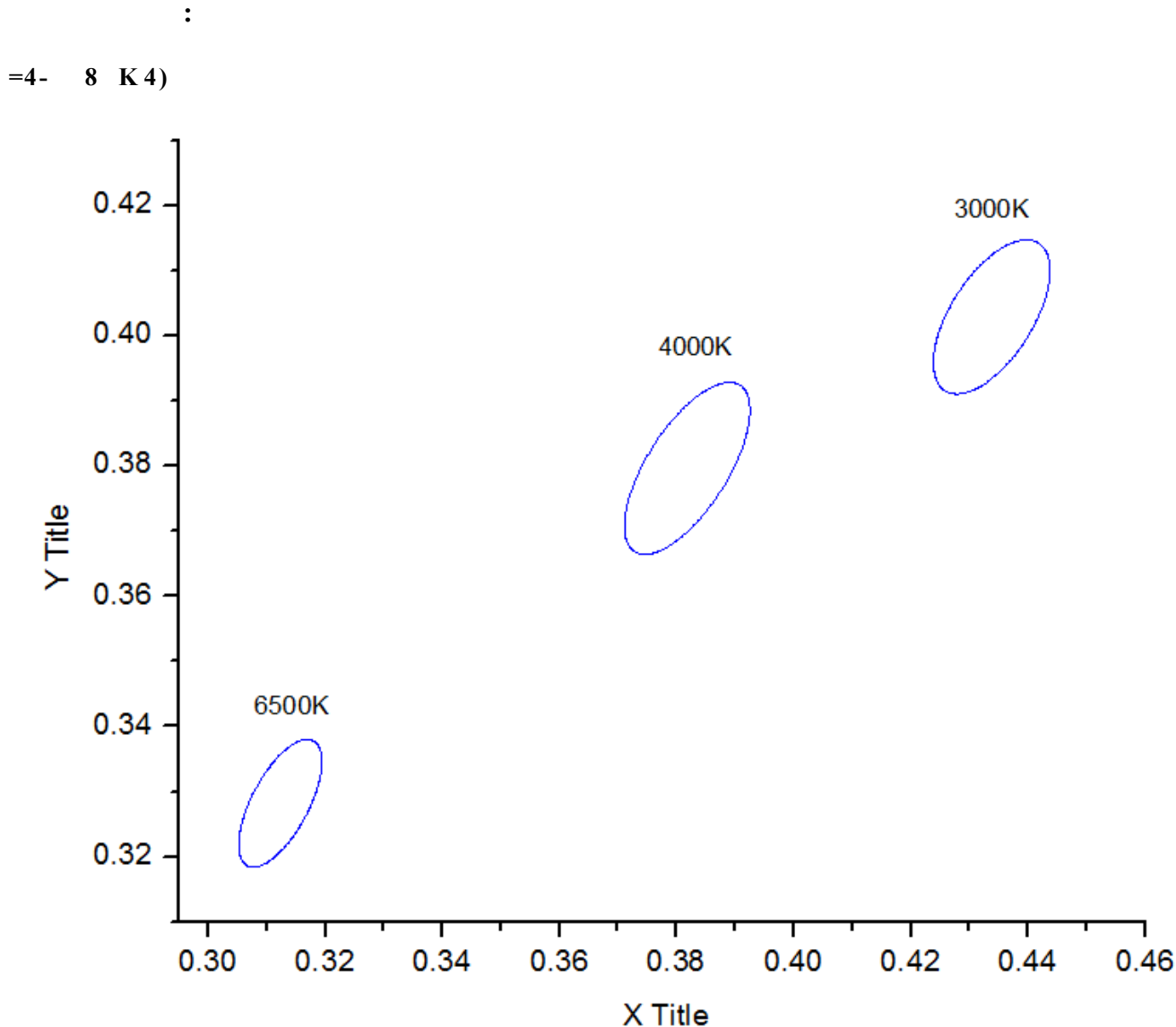
8 J :

J

=4- 8 K4)







						<b>Q</b>
8 *						
8						
8 -						

LIGH

LIGHT ELECTRONICS

