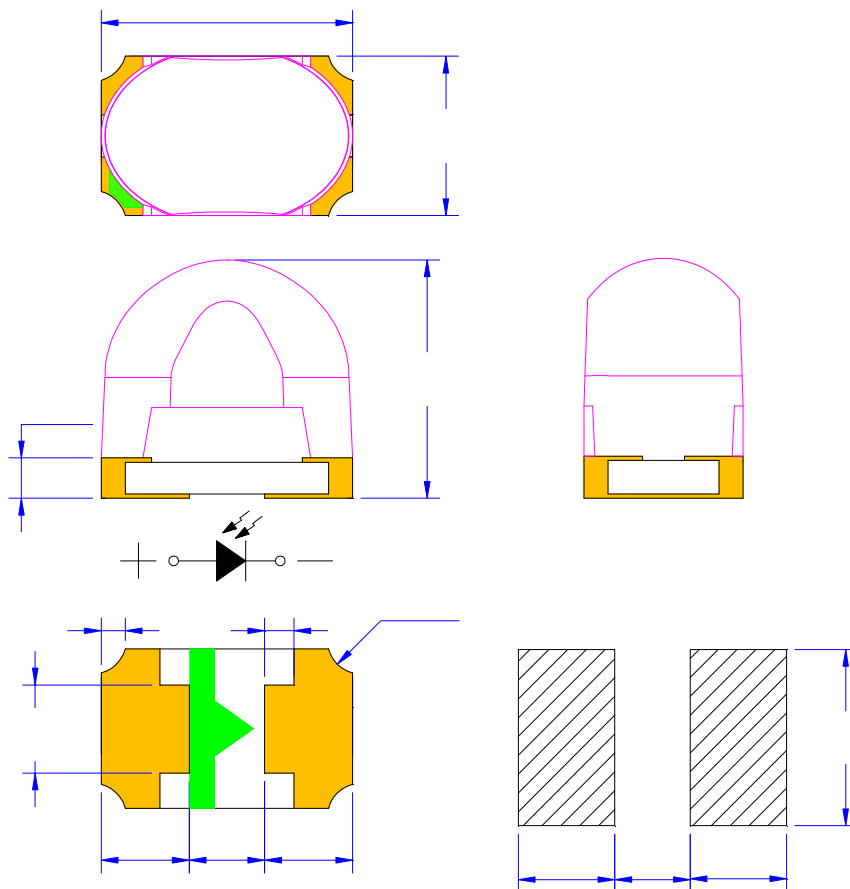


### Features

- Pb free product—RoHS compliant
- High Photo Sensitivity
- Reliable and rugged
- Long life – solid state reliability
- Sensitivity angle: 90°

### Package Dimension



Part NO.	Chip Material	Lens Color
SL-T3020PDB020-L285-E-S	Silicon	Black

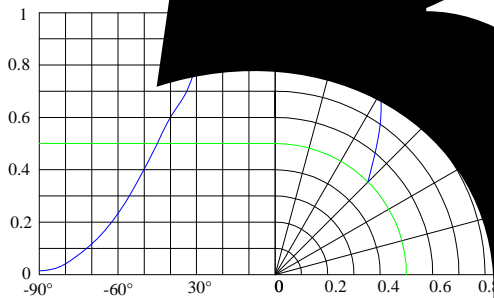
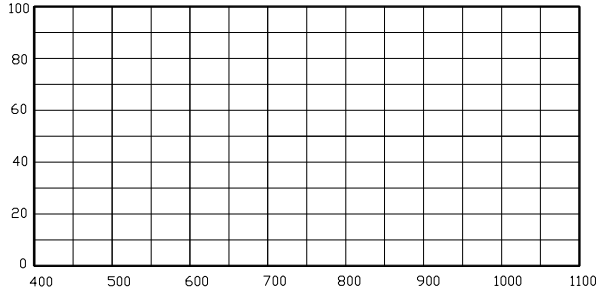
#### Notes:

1. All dimensions are in millimeters.
2. Tolerance is  $\pm 0.10\text{mm}$  unless otherwise noted.
3. Specifications are subject to change without notice.





## Typical Electrical / Optical Characteristics Curves (25 Ambient Temperature Unless Otherwise Noted)



### Reverse Light Current( $I_L$ ) Bin Code ( $V_R=5V$ , $E_e=1mW/cm^2$ , $p=940nm$ )

BIN CODE	Min.( A)	Max.( A)

**NOTE:** The  $I_L$  guarantee should be added  $\pm 15\%$  tolerance.





## Carrier Tape Specifications (Loaded Quantity: 5000pcs/reel)

**Note:** Tolerance unless mentioned is  $\pm 0.1$ mm; Unit = mm

### Moisture Resistant Packaging

