

SL-T3510RGBA-L120

DATA SHEET

SPEC.NO.: SZ18040901
DATE: 2018/04/09
REV. A/0

Approved By:

Checked By:

Prepared By:



SL-T3510RGBA-L120

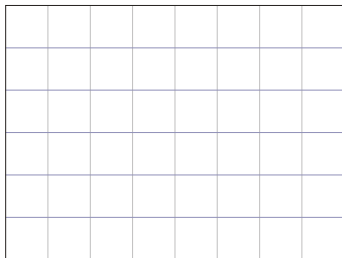
TOP Full-color LED

Technical Data Sheet





Typical Characteristics Curves





Reliability Test Items And Conditions



		↔			

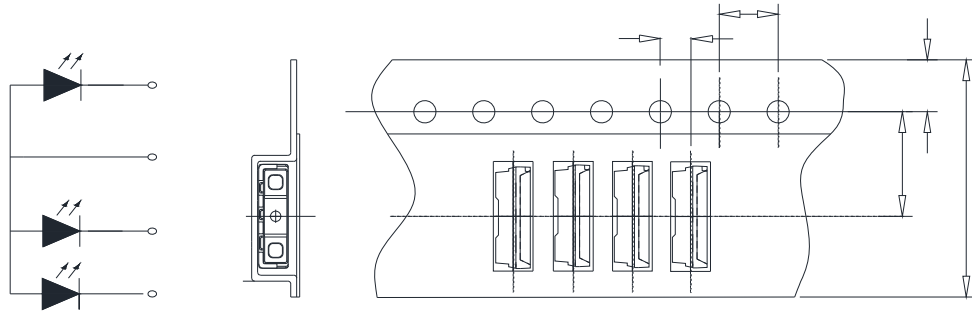
Criteria For Judging Damage

--	--	--	--

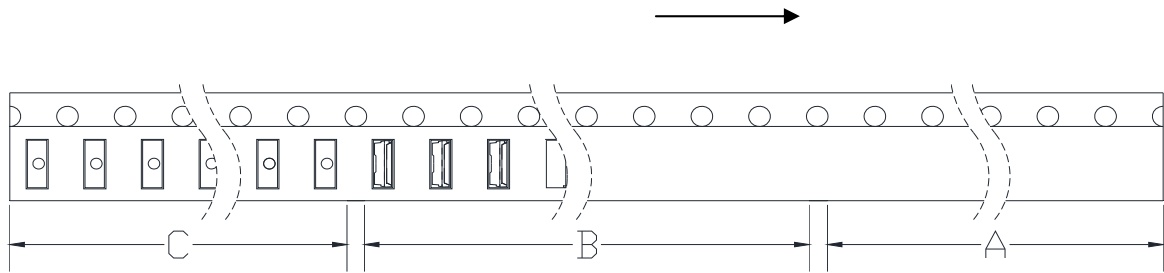
1

Packaging (1)

◇ Carrier Tape



◇ Details Of Carrier Tape



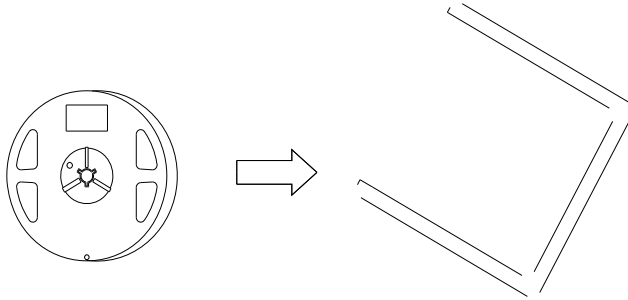
◇ Reel Dimension

2

Packaging(2)



Moisture Proof and Anti-Static Foil Bag



Cardboard Box



Label Explanation

λ

LIGHT

2**Guideline for Soldering (2)****3.****Cleaning**



(1)

Precautions (1)

1.

Storage

-

-

-

-

-

2.

Static Electricity

-

-

-

(2)

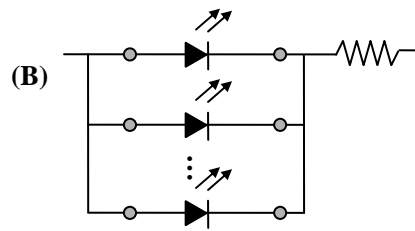
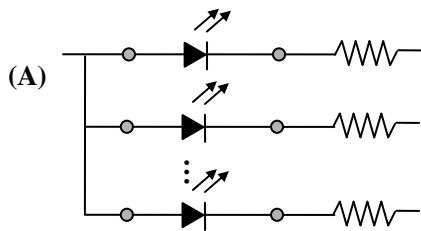
Precautions (2)

3.

Design Consideration

•

•



•

4.

Reverse voltage protection

•

(3)

Precautions (3)

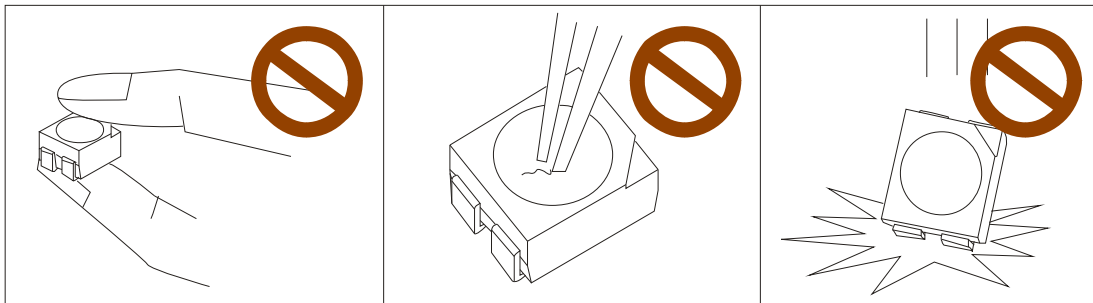
5.

The safe temperature for LEDs working

-

6.

-



-