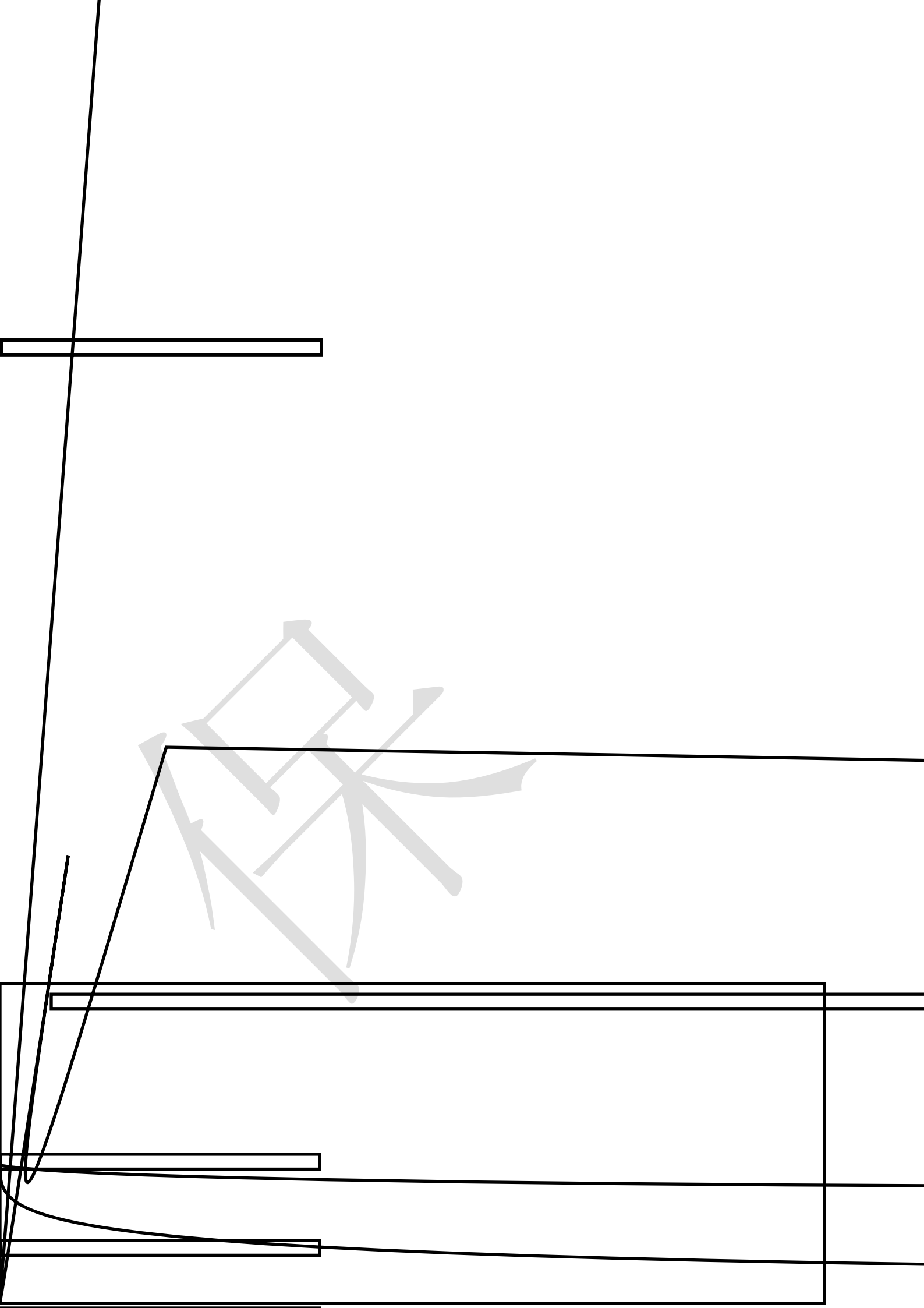


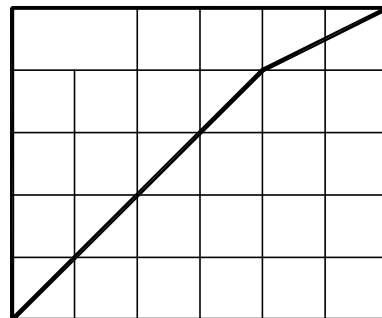
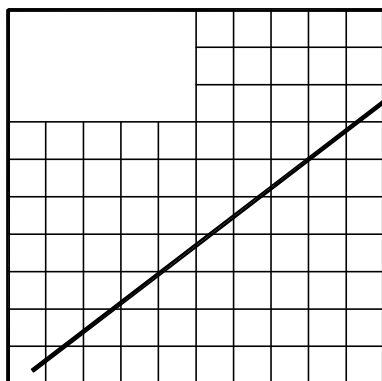
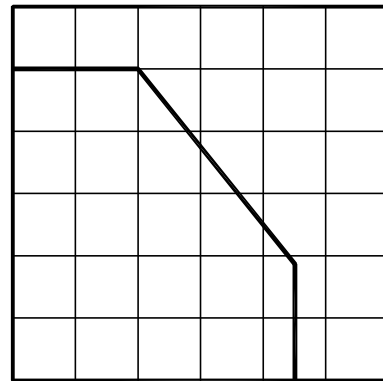
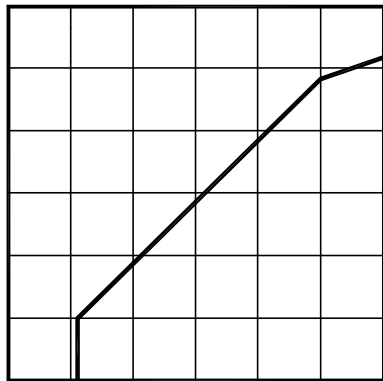




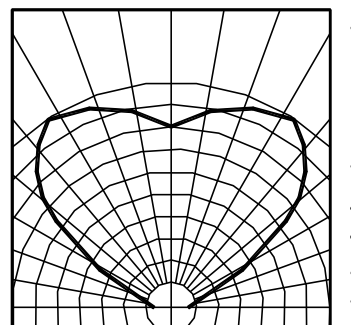
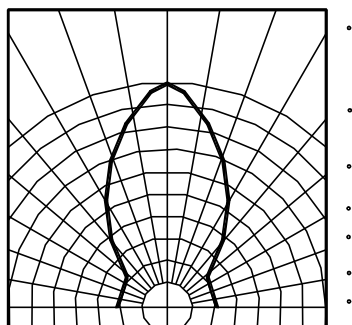
Absolute Maximum Ratings at Ta=25



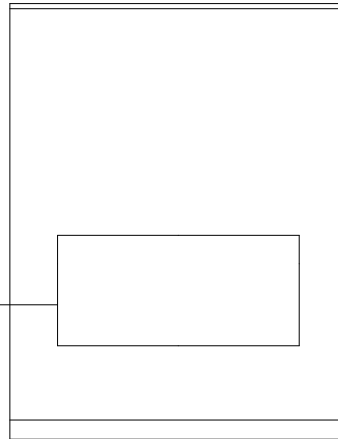
Typical Electrical / Optical Characteristics Curves (25 Ambient Temperature Unless Otherwise Noted)



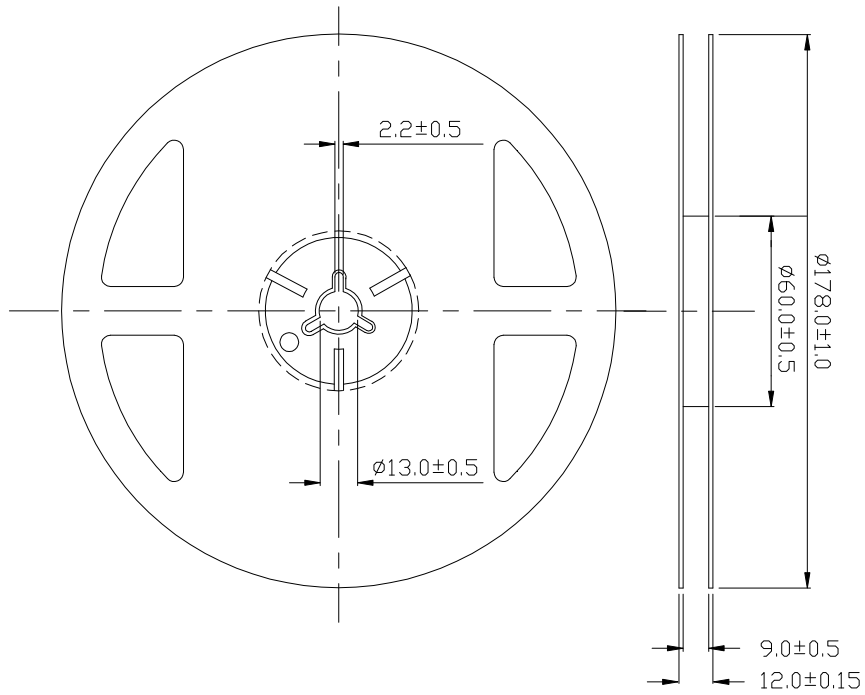
2



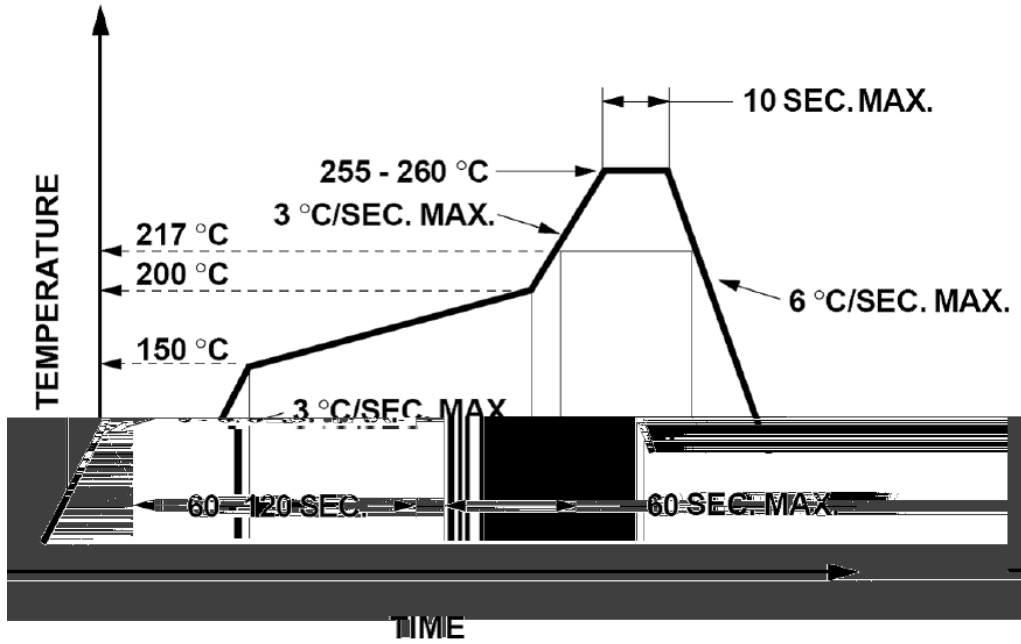
LIGHT	深圳莱特光电股份有限公司 Light Electronics CO., LTD.	
TYPE NO. :	_____	
QUANTITY :	_____	
BIN :	_____	
DATE CODE :	_____	
REMARKS :	_____	



Bag



Note:



°C

