



# SL-T2835WD060-L70-A-XX

## DATA SHEET

SPEC.NO.: SZ22081701  
DATE: 2022/08/17  
REV.: A/0

Approved By:

Checked By:

Prepared By:

# LIGHT

---

## AC

2.

Forward Current

\*Pulse Forward Current\*

Power Dissipation

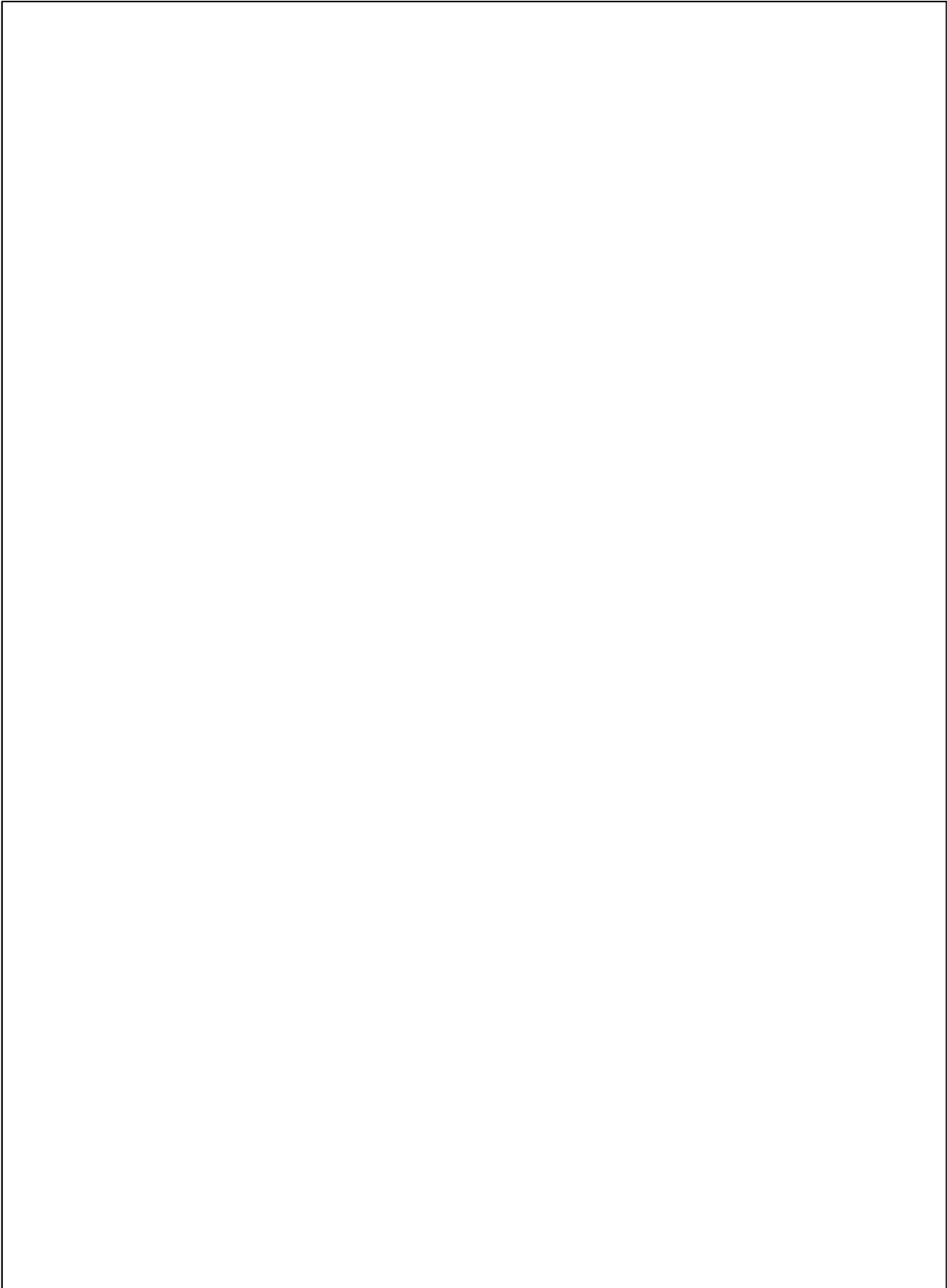
Operating Temperature

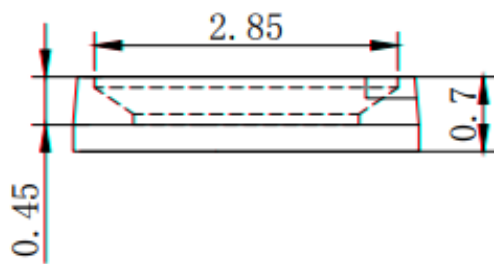
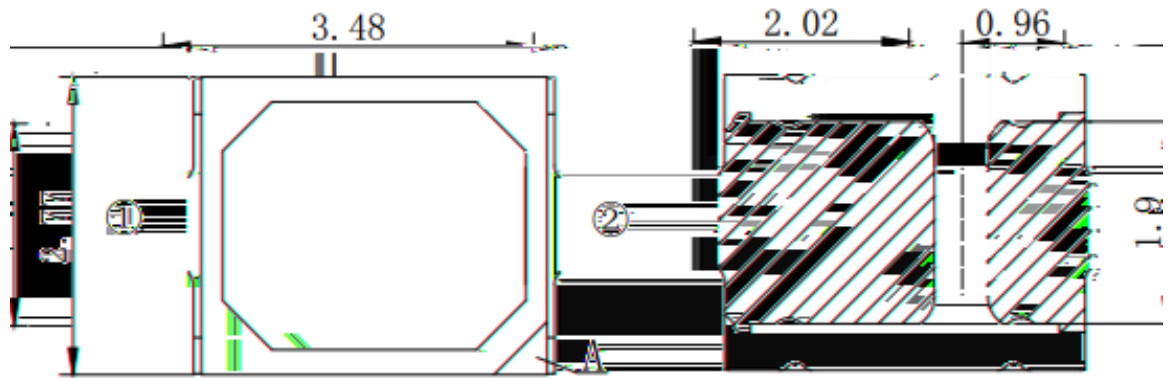
Storage Temperature

Junction Temperature

Welding temperature

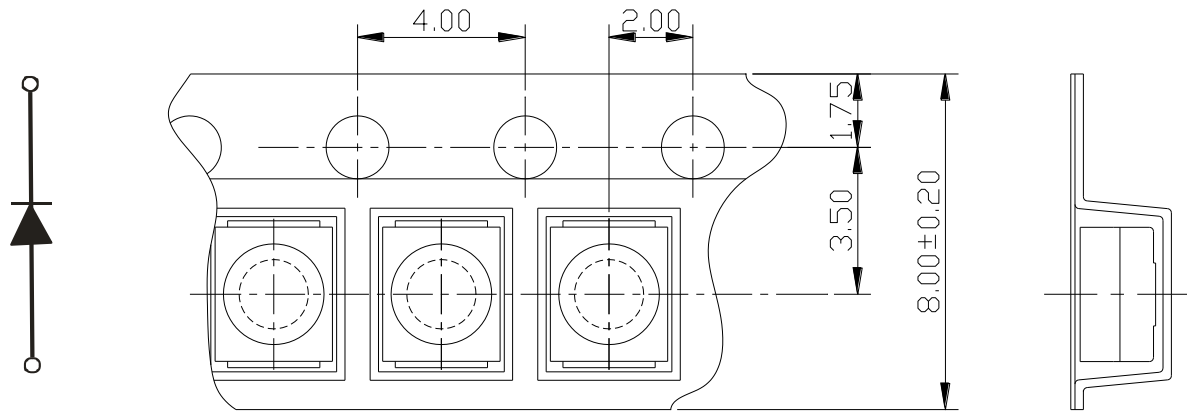




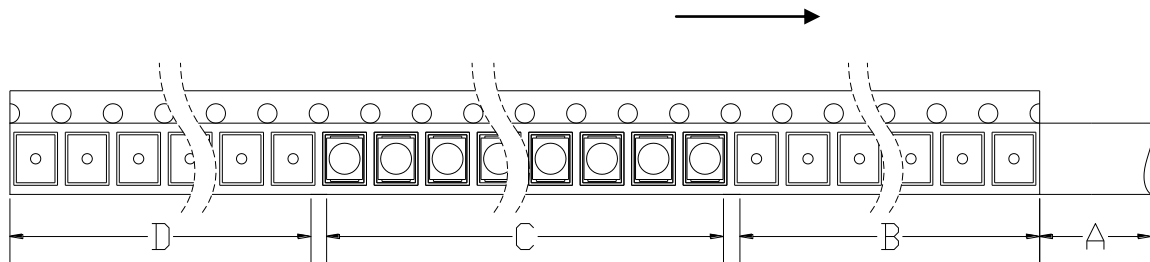


Polarity

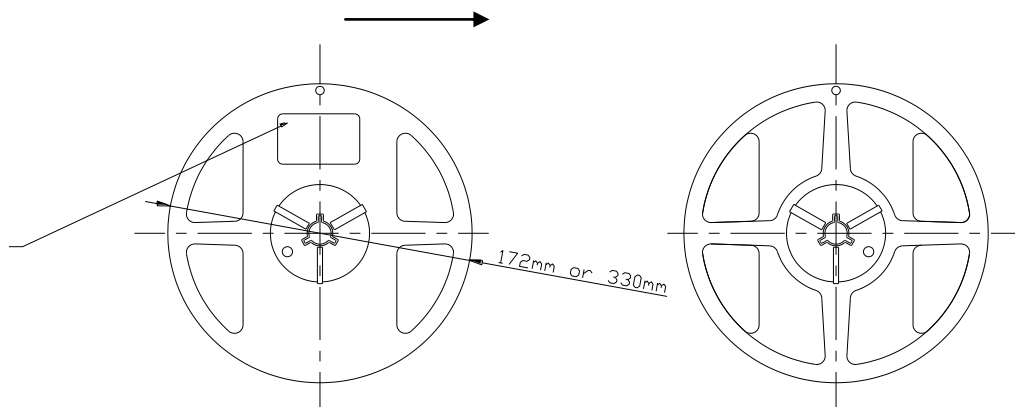
✧



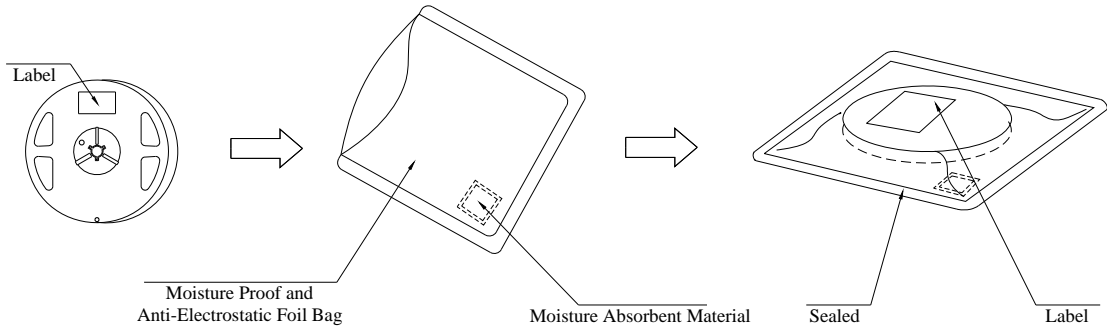
✧



✧

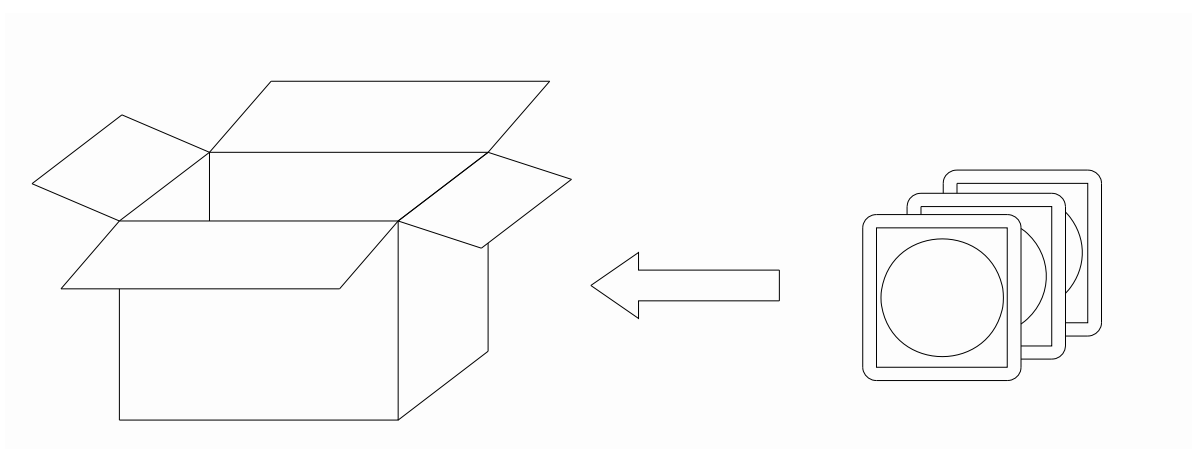


✧



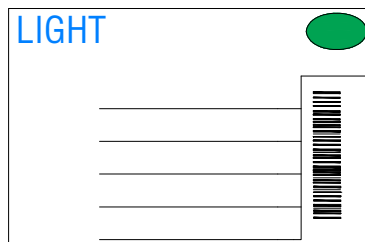
✧

### Cardboard Box



✧

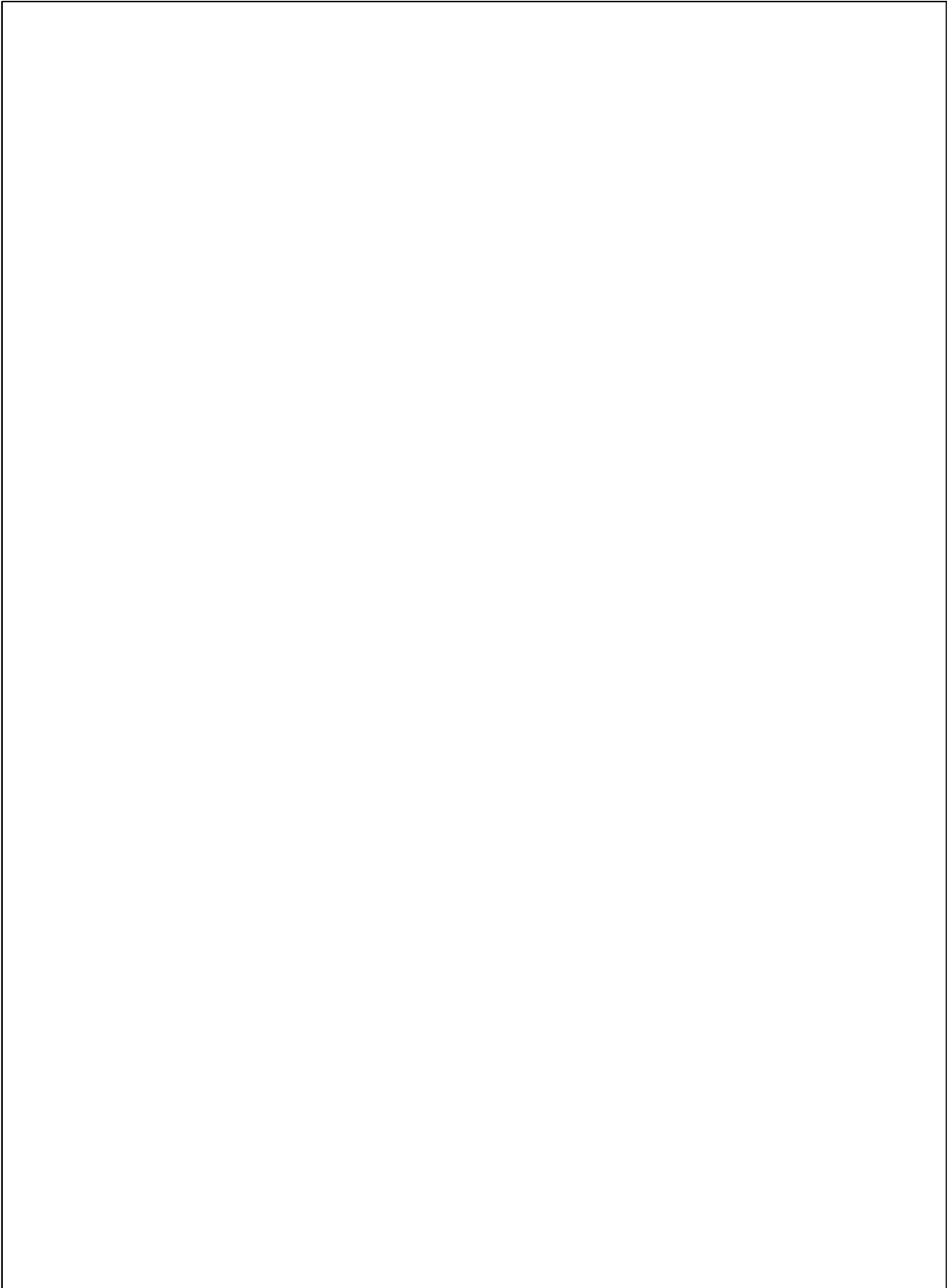
### Label Explanation



|  |  |
|--|--|
|  |  |
|  |  |
|  |  |

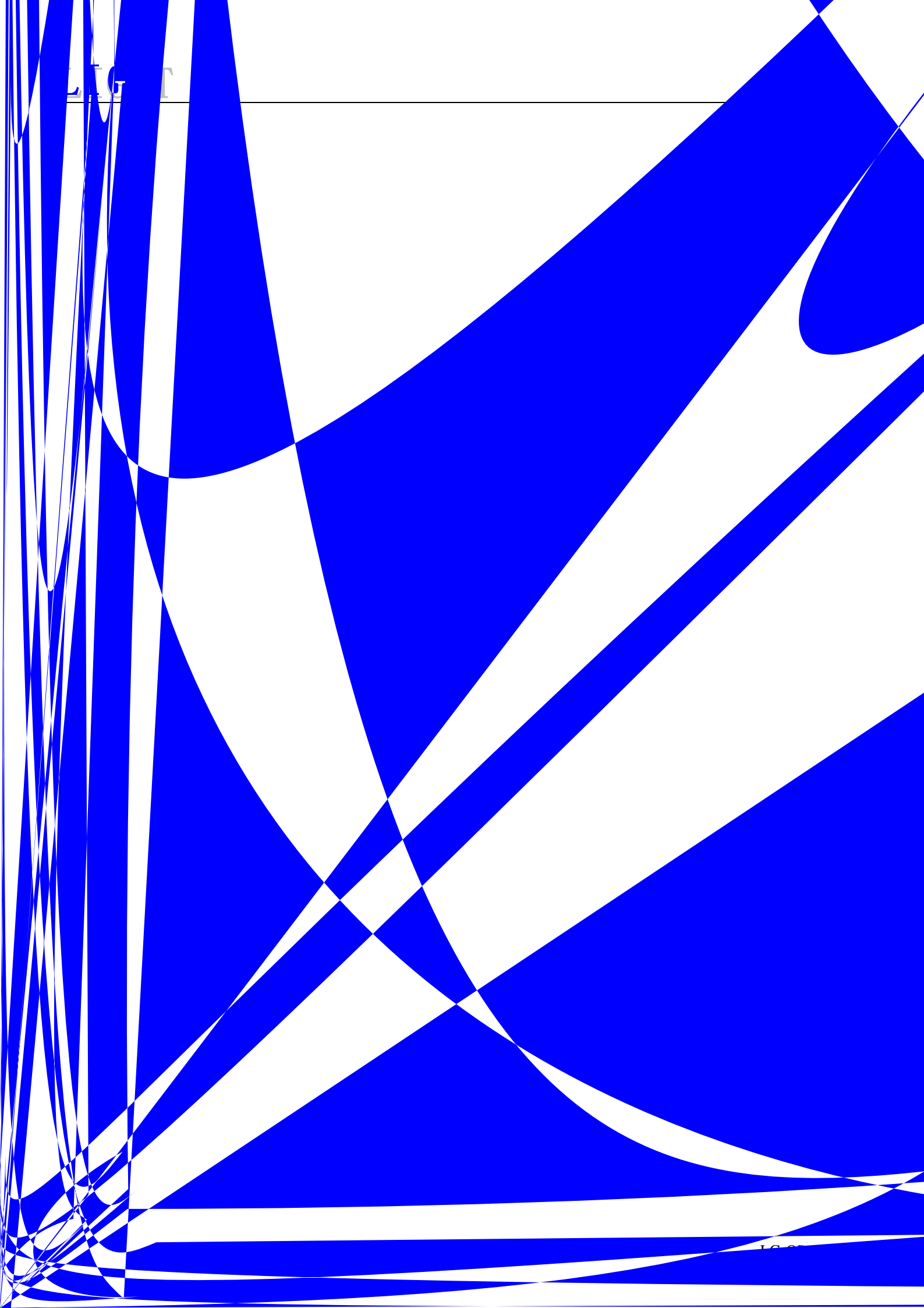
# LIGHT

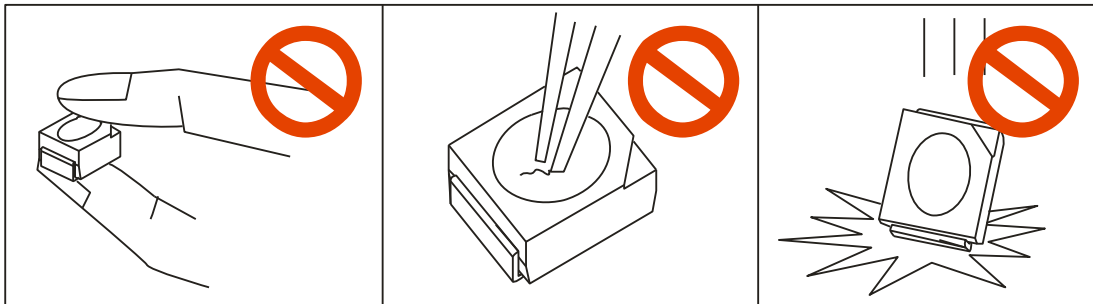
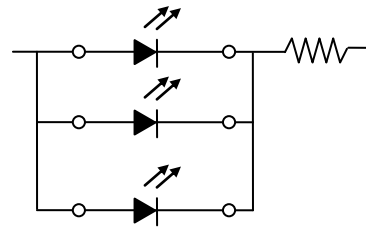
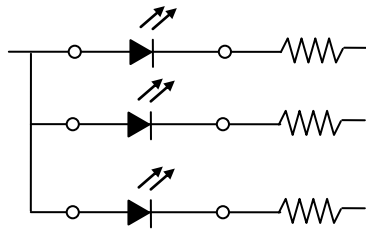
---



IT 0

Light

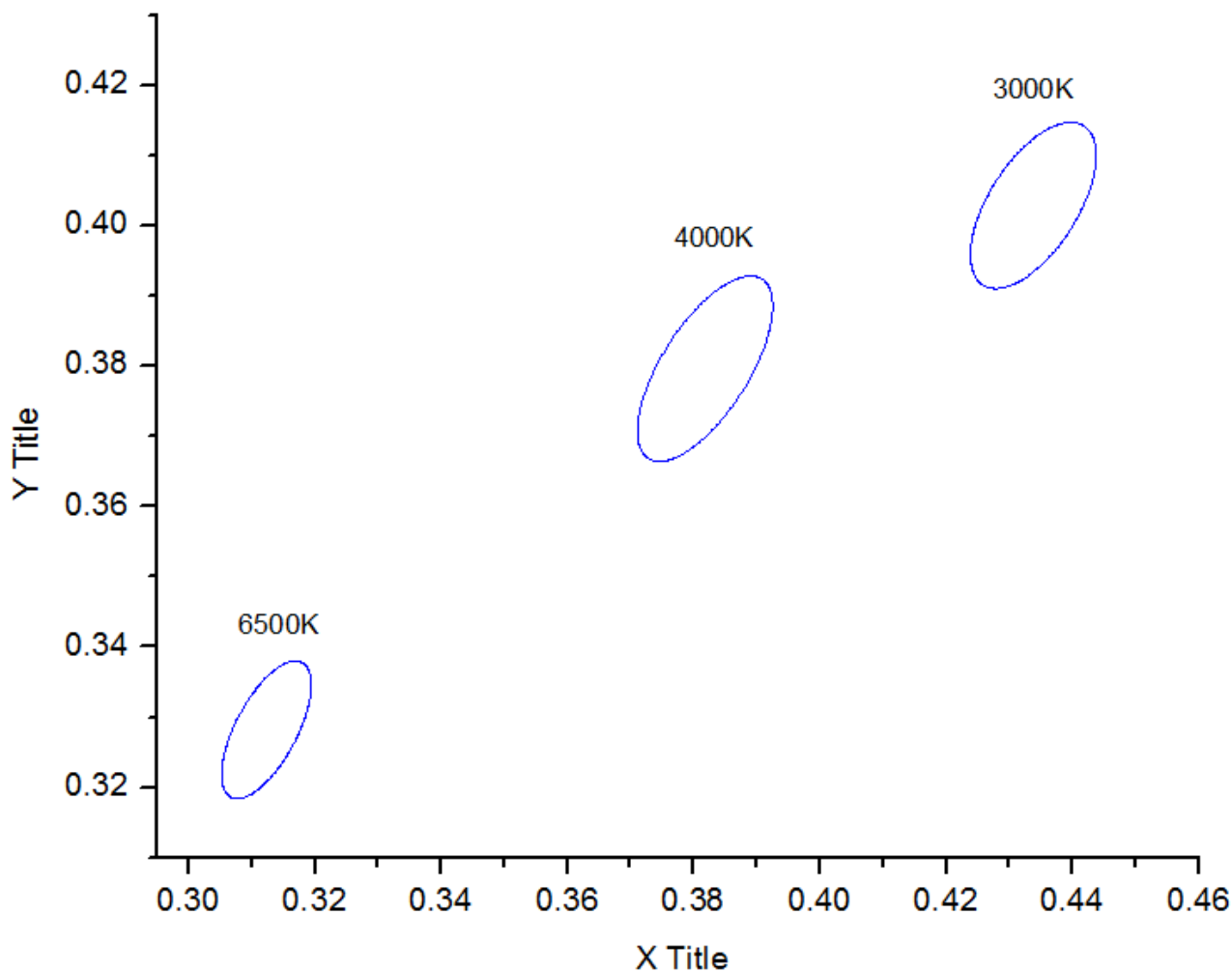






| A | A L |
|---|-----|
|   |     |
|   |     |
|   |     |
|   |     |
|   |     |
|   |     |
|   |     |
|   |     |

| A | A L |
|---|-----|
|   |     |
|   |     |
|   |     |
|   |     |
|   |     |
|   |     |
|   |     |
|   |     |



|  | L | M |  | V |  | Yd |
|--|---|---|--|---|--|----|
|  |   |   |  |   |  |    |
|  |   |   |  |   |  |    |
|  |   |   |  |   |  |    |

LIG

**LIGHT ELECTRONICS CO., LTD.**

---

---

---