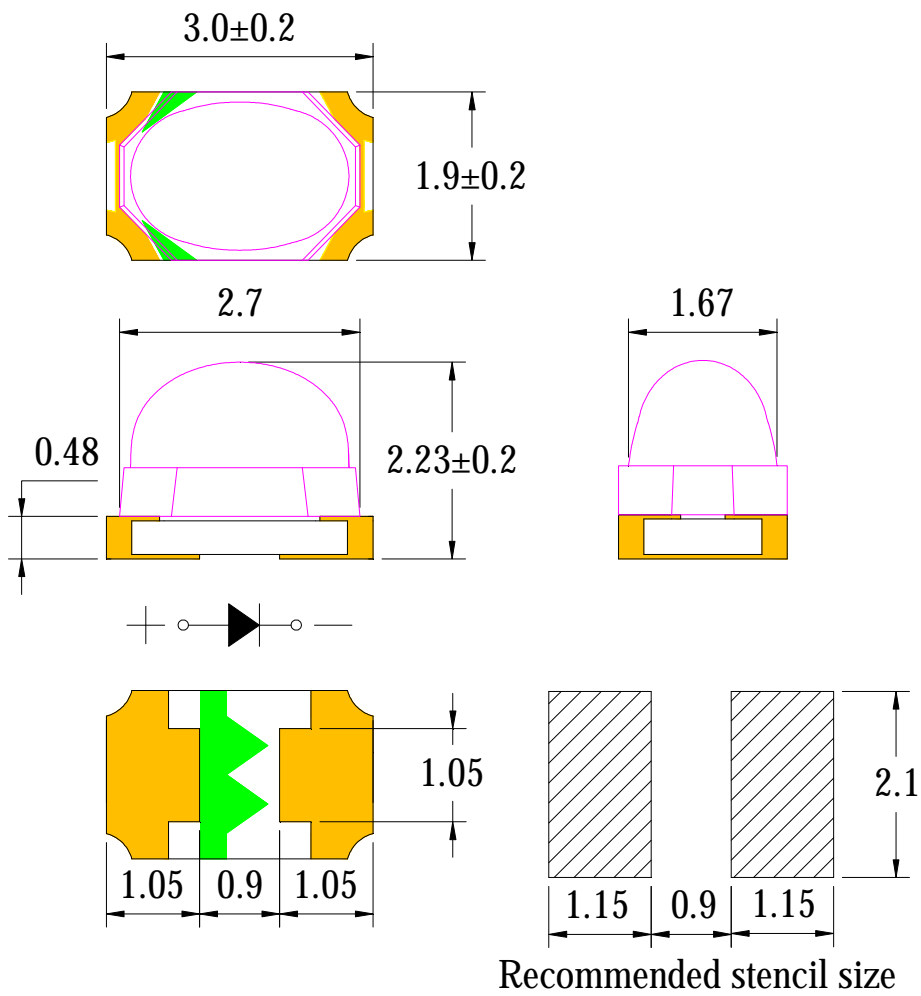


SL-T3020IRC050-L223-C-S

Features

Package Dimension

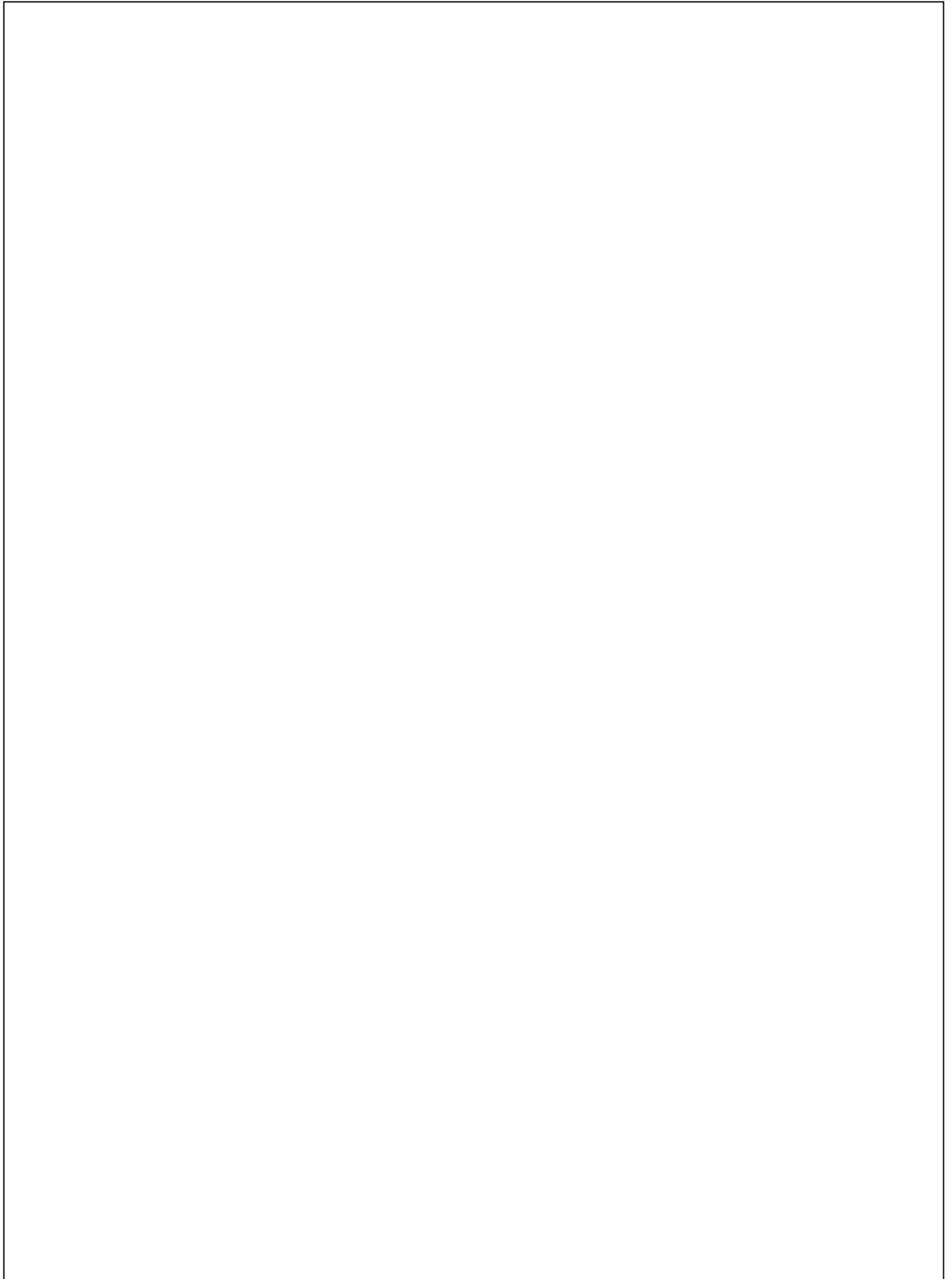


Notes:





LIGHT



Carrier Tape Specifications (Loaded Quantity: 5000pcs/reel)

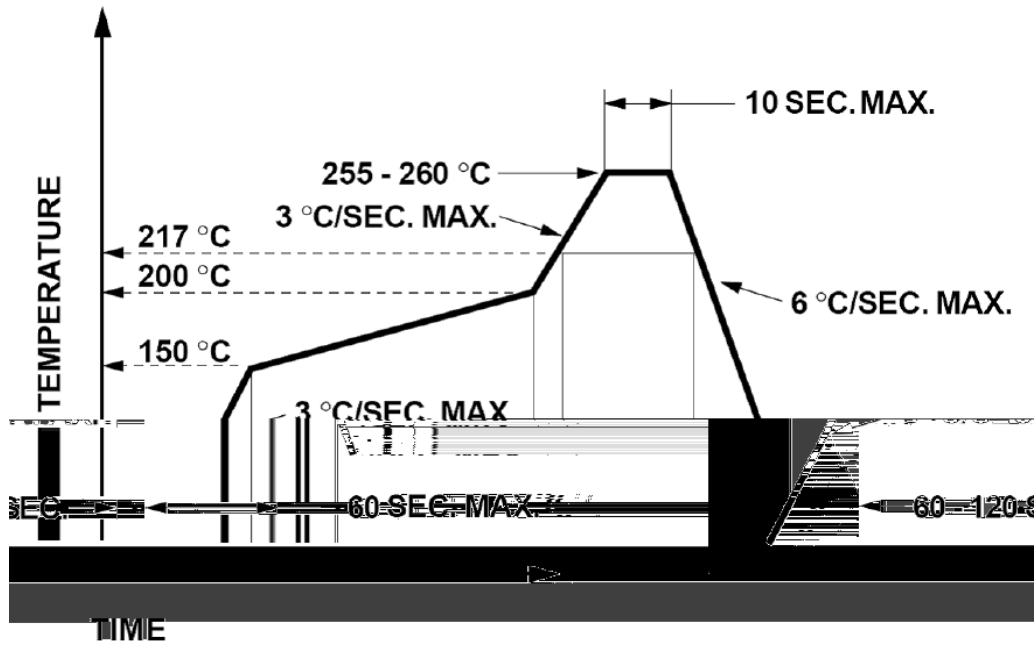
Note:

Moisture Resistant Packaging



X-1

Suggest IR Reflow Condition For Lead Free



Soldering iron

°C

Repairing

