

SL-T2835WD060-L70-A-XX

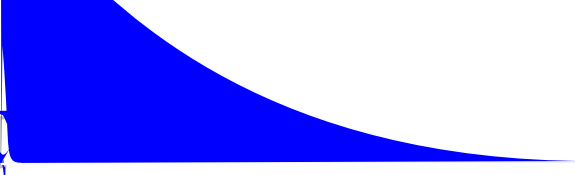
DATA SHEET

SPEC.NO.: SZ22081701
DATE: 2022/08/17
REV.: A/0

Approved By:

Checked By:

Prepared By:



1 &)

H

M

6 . 3

	KB	MD M	B :	K2	E (M)
G H&)K 8 + 5)	,)	% , , - (% %)		%)
G H&)K 8 + 5 (,	(% , , - (% %)		%)
G H&)K 8 + 5	,		% , , - (%&) %		%)

1 &)

H

M

6 . 3

D	G	F	I
Forward Current	=	%&	5
Pulse Forward Current	= D	&	5
Power Dissipation	D	%&	K
Operating Temperature	H	(%	
Storage Temperature	H	(%	
Junction Temperature	H	%&	
Welding temperature	H	F A . & .)	%
5	6 A	9 &	J

B

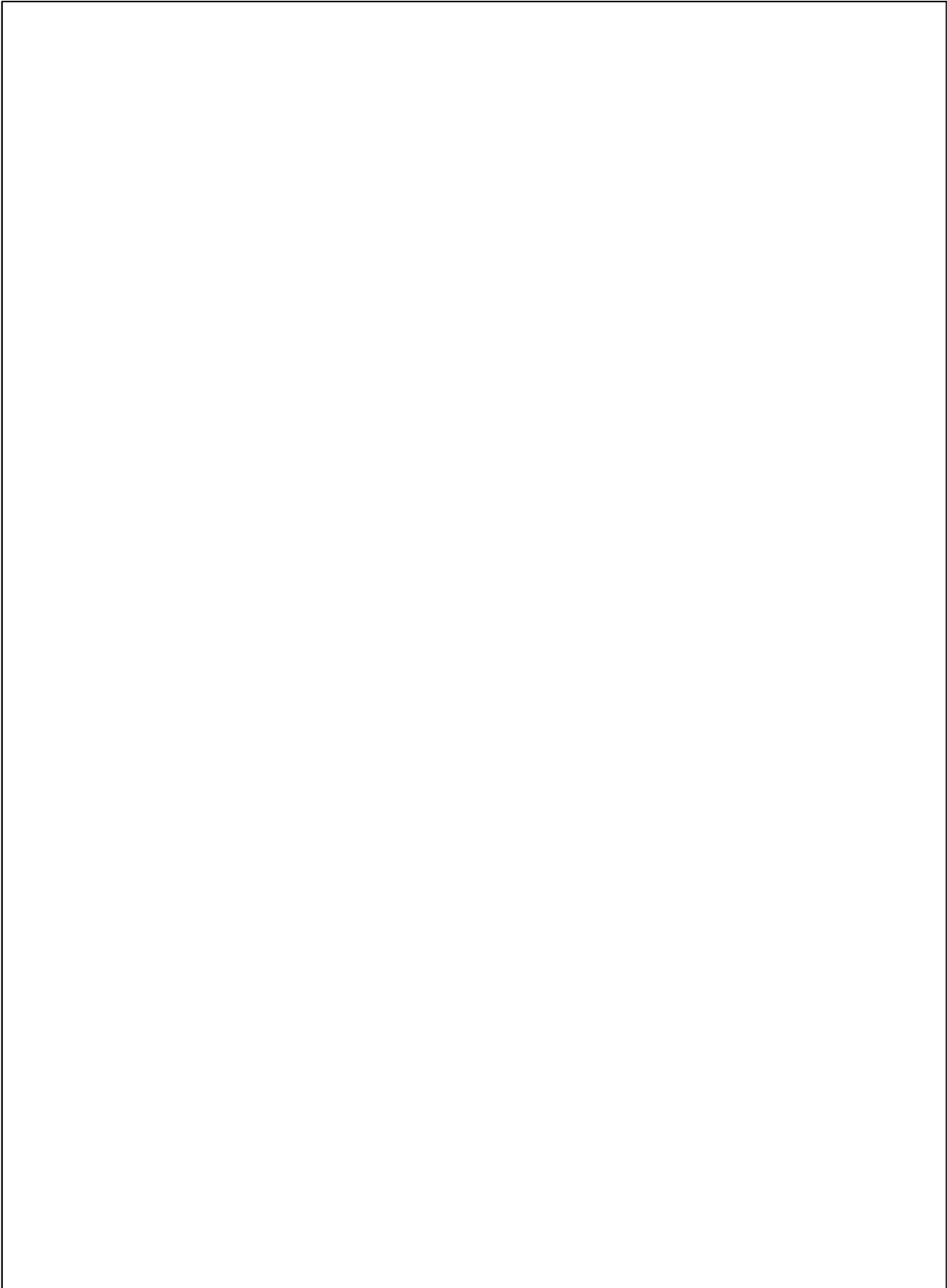
% %% 8

%

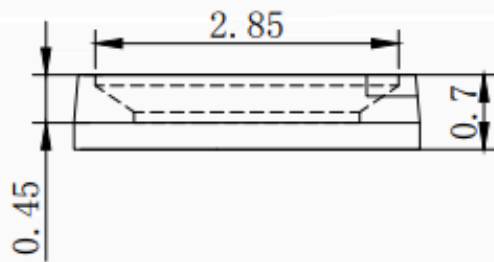
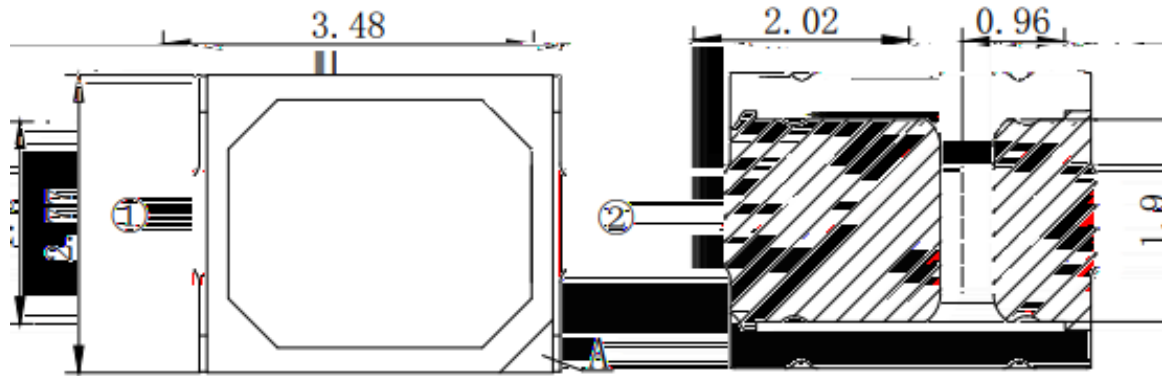
%

%%

& 7 A- +%



H =



Polarity

B
% 5 B A 5

& 5

5

%

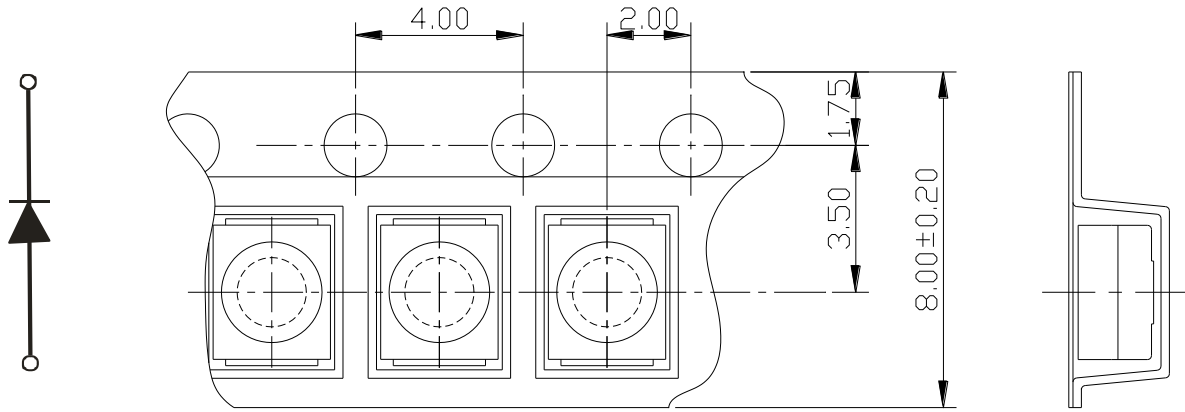
%

(G

I

✧

M



%

%

✧

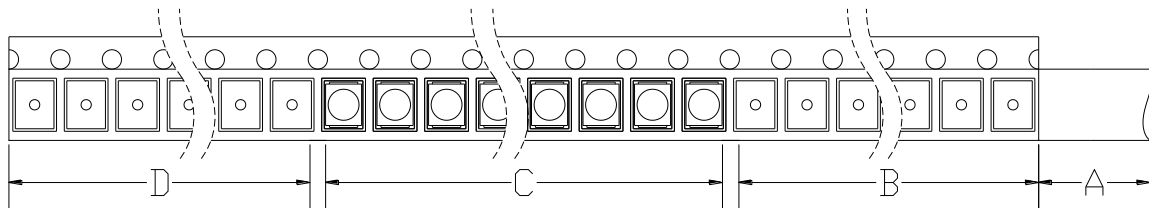
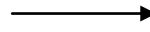
=

H

M

D

8



5

5.H 7

H

6

/6.

&

9

&

7

/7.(

(

%

%

8

/8.H

9

&

&

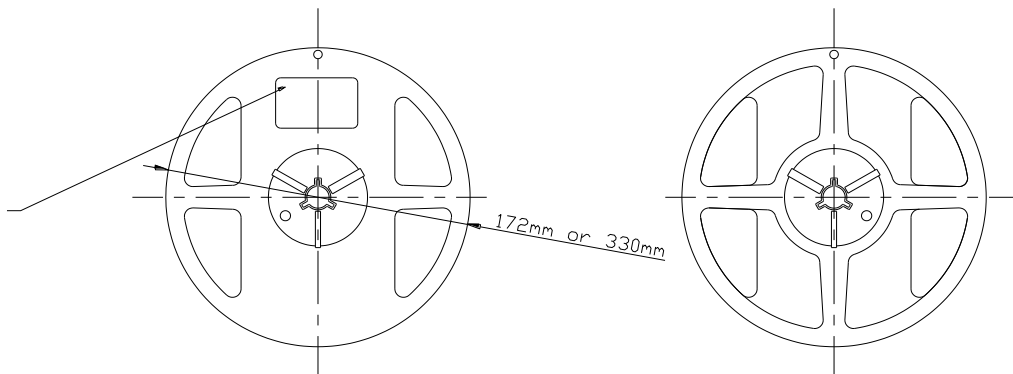
✧

K

=

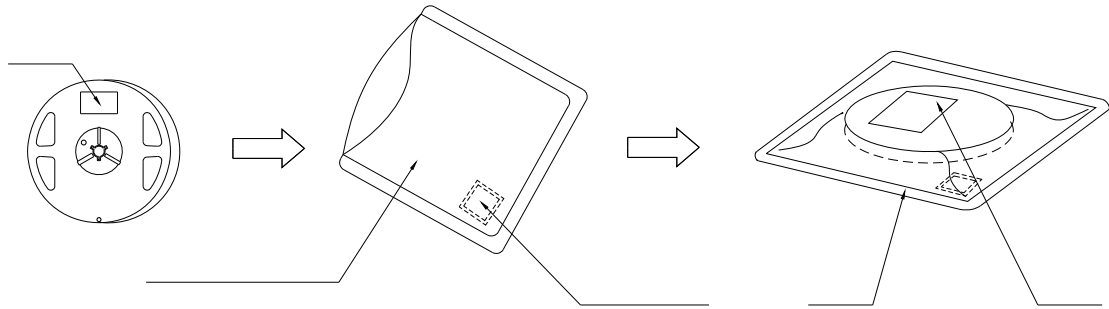
D

8

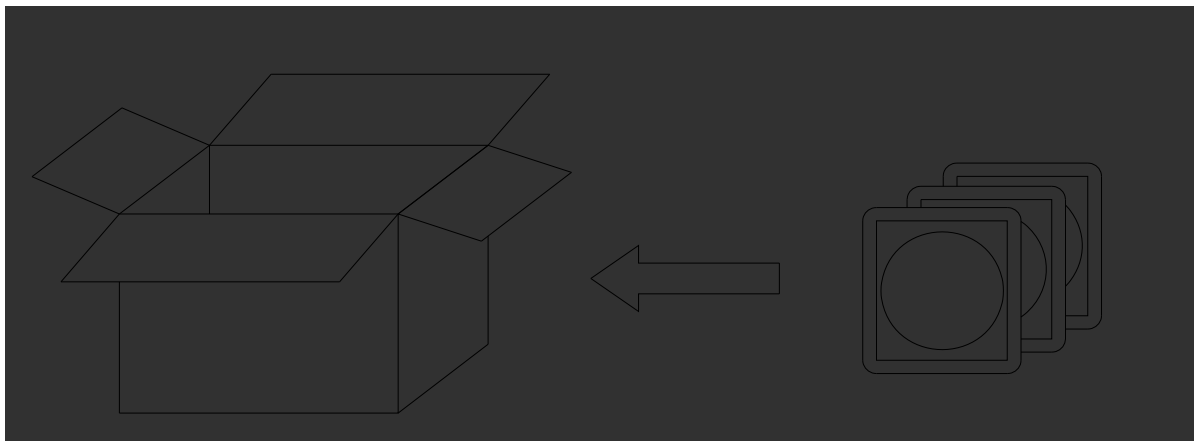




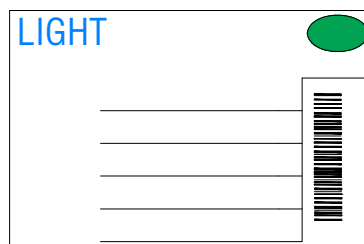
Moisture Proof and Anti-Electrostatic Foil Bag



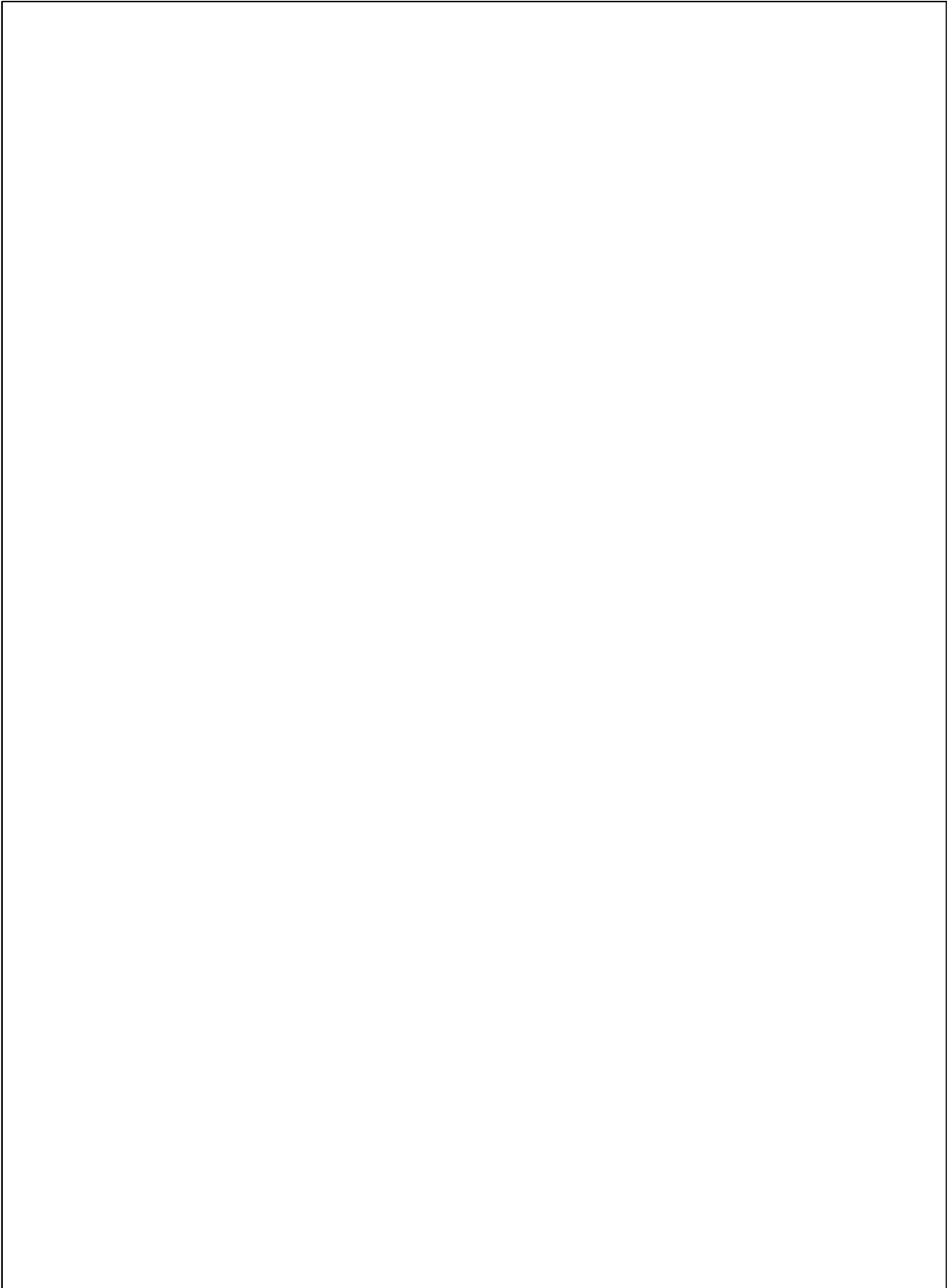
Cardboard Box

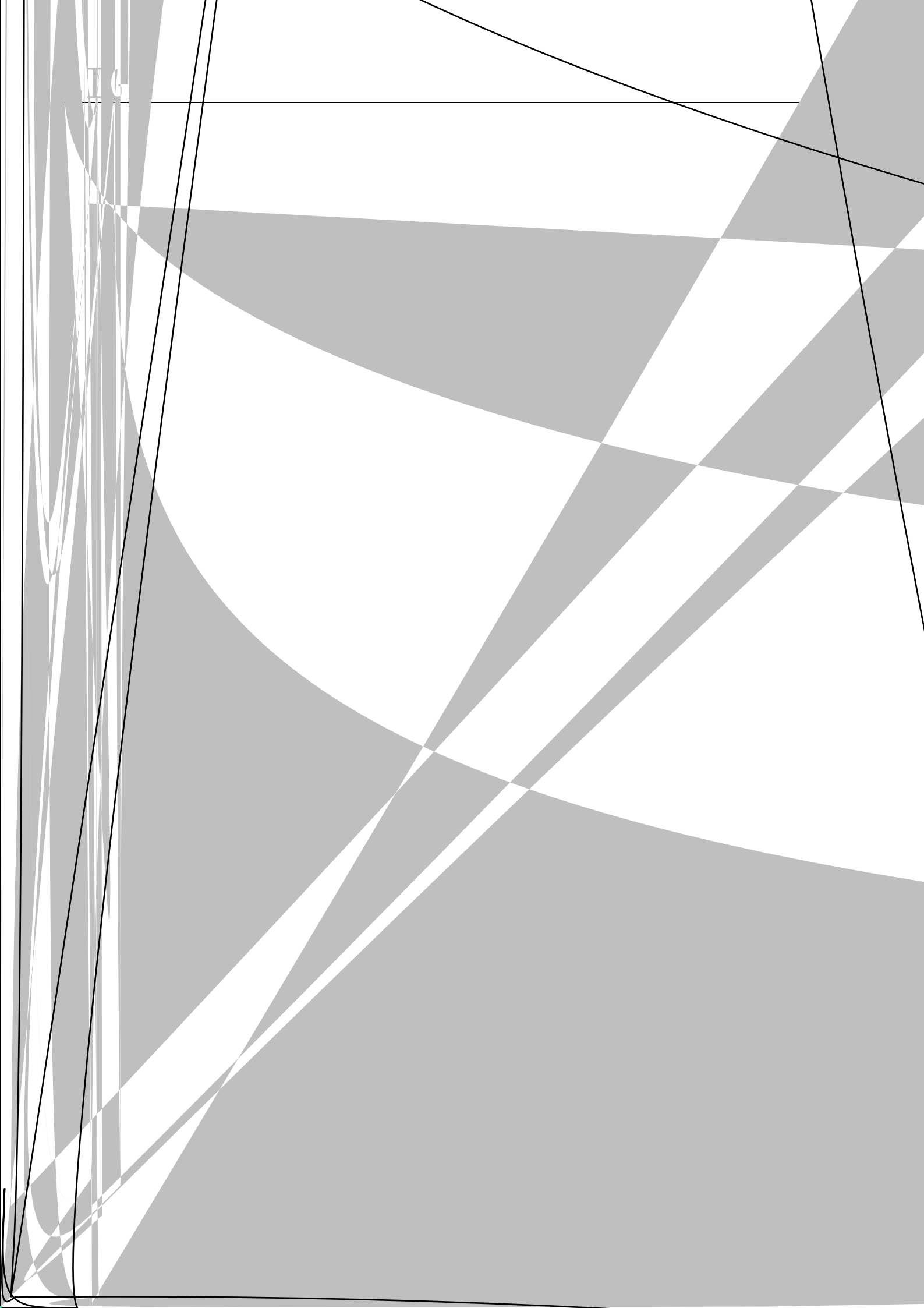


Label Explanation

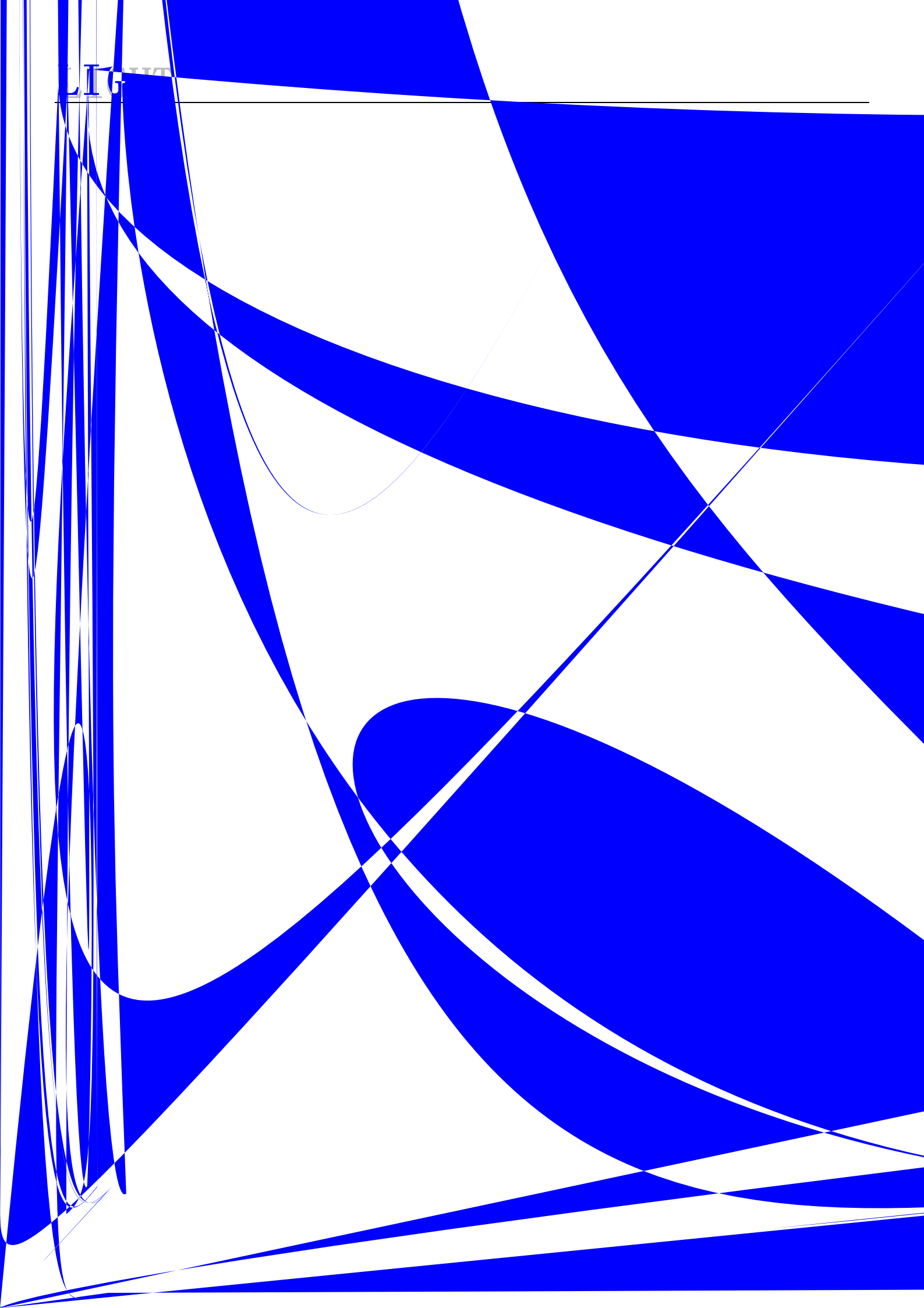


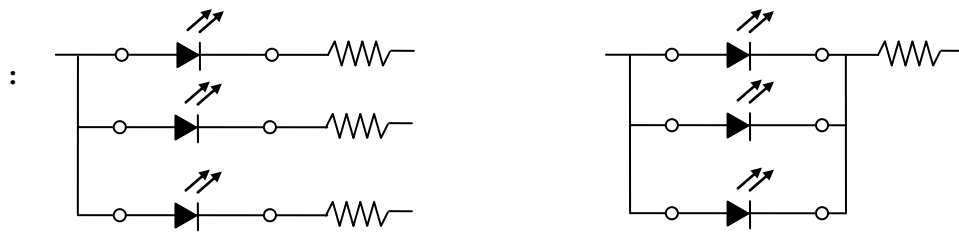
LIGHT





LIGHT





98

98

H 8

7

7

D

98

/

H

K

9

98

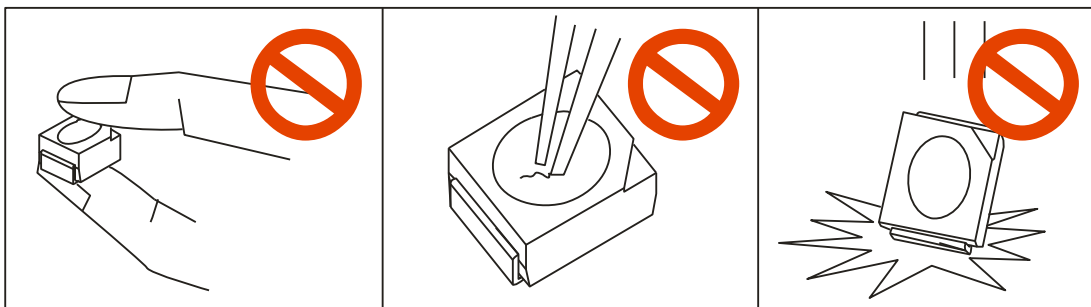
:

98

98

F

G



98

H

K

: L =

L

B 6/) : M6 .



%&	%
%	%)
%)	%
%	%)
%)	%
%	%)

, ,	-
-	- &
- &	- (

B
% H + % H
& H + % H

LIG

LIGHTELECTRONICS CO., LTD.
