

LG-IRM2A838KSF3

Infrared Receiver Module

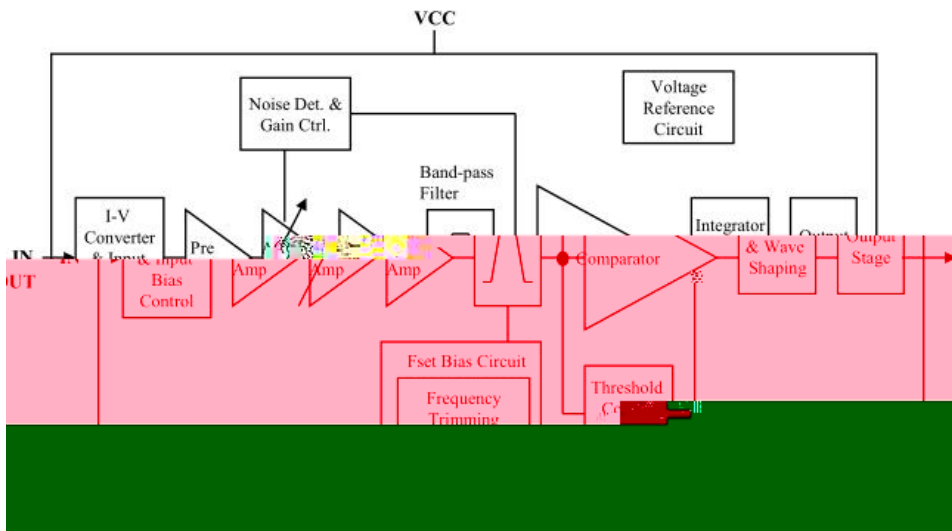
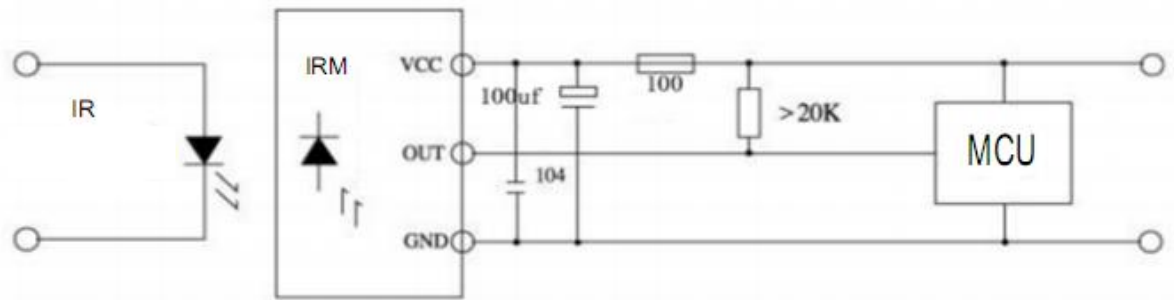
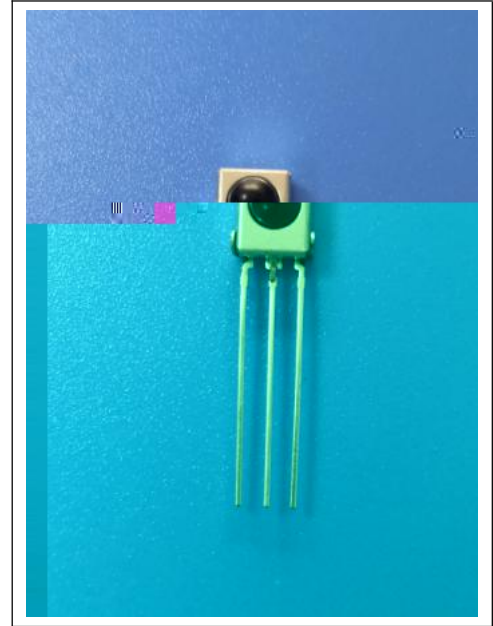
DATA SHEET

SPEC.NO. : SZ21052401
DATE : 2021/05/24
REV. : A/0

Approved By:

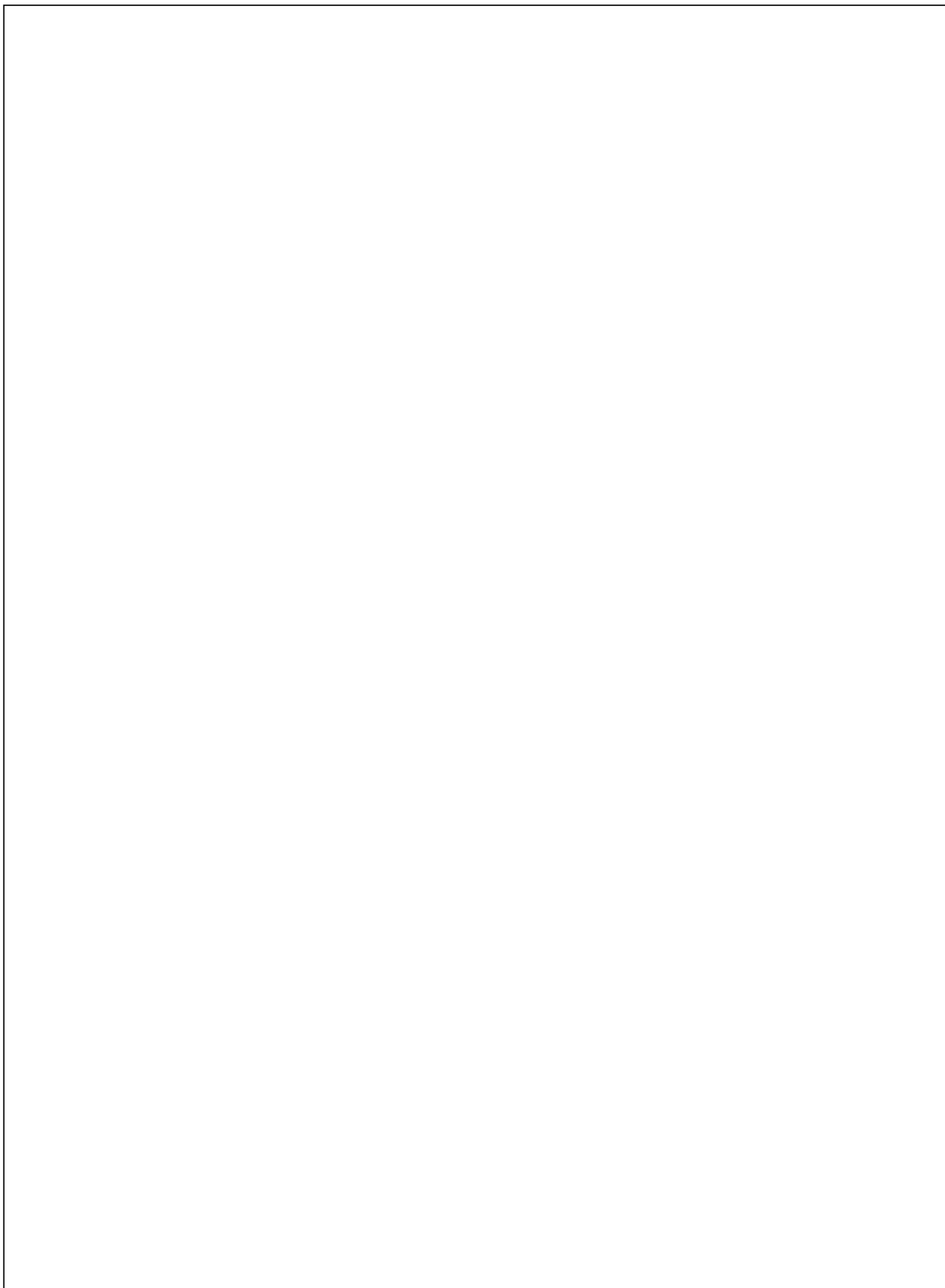
Checked By:

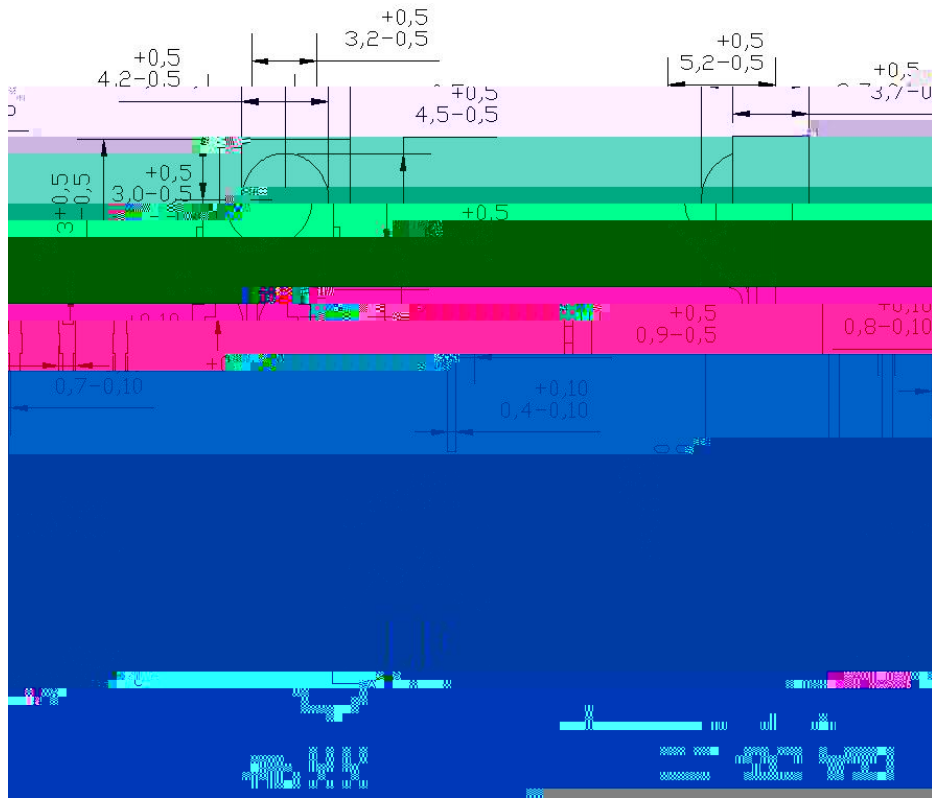
Prepared By:



LI

LIGHT ELECTRONICS CO., LTD.





LIGHT ELECTRONICS CO., LTD.

