

\_\_\_\_\_  
\_\_\_\_\_  
\_\_\_\_\_

--	--	--	--








Fig.1 Spectral Distribution

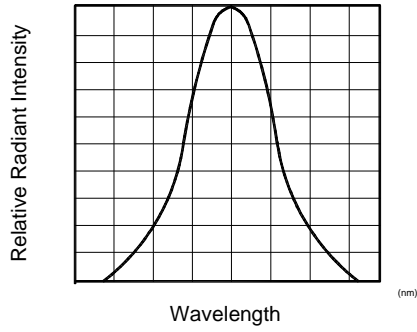


Fig.2 Forward Current Vs Ambient Temperature

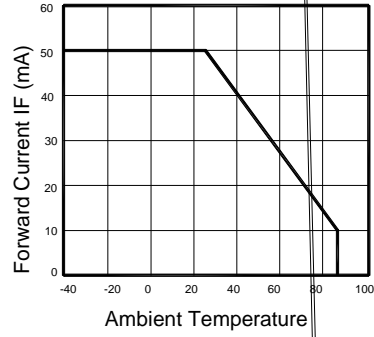


Fig.4 Relative Radiant Intensity Vs Ambient Temperature

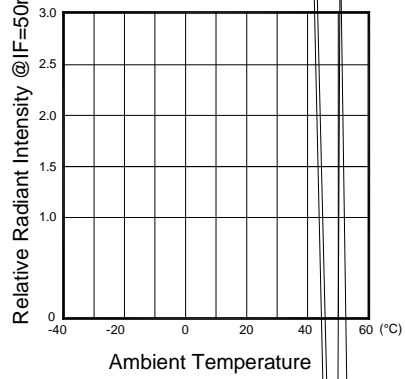
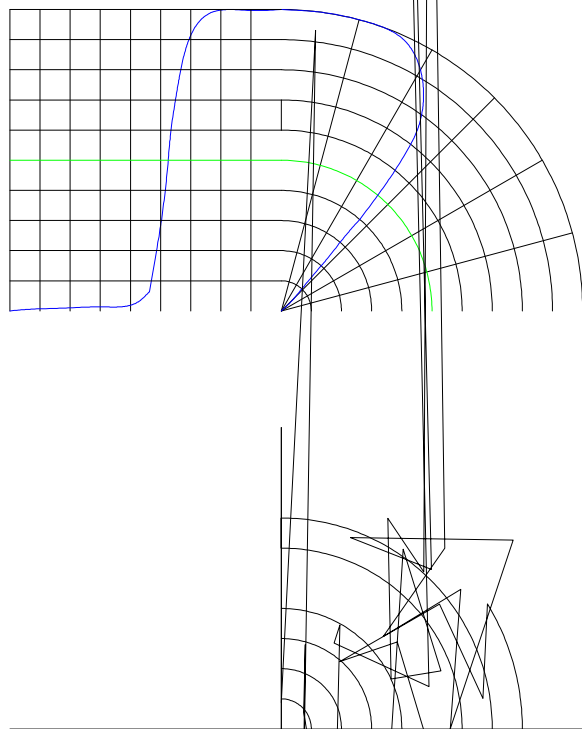
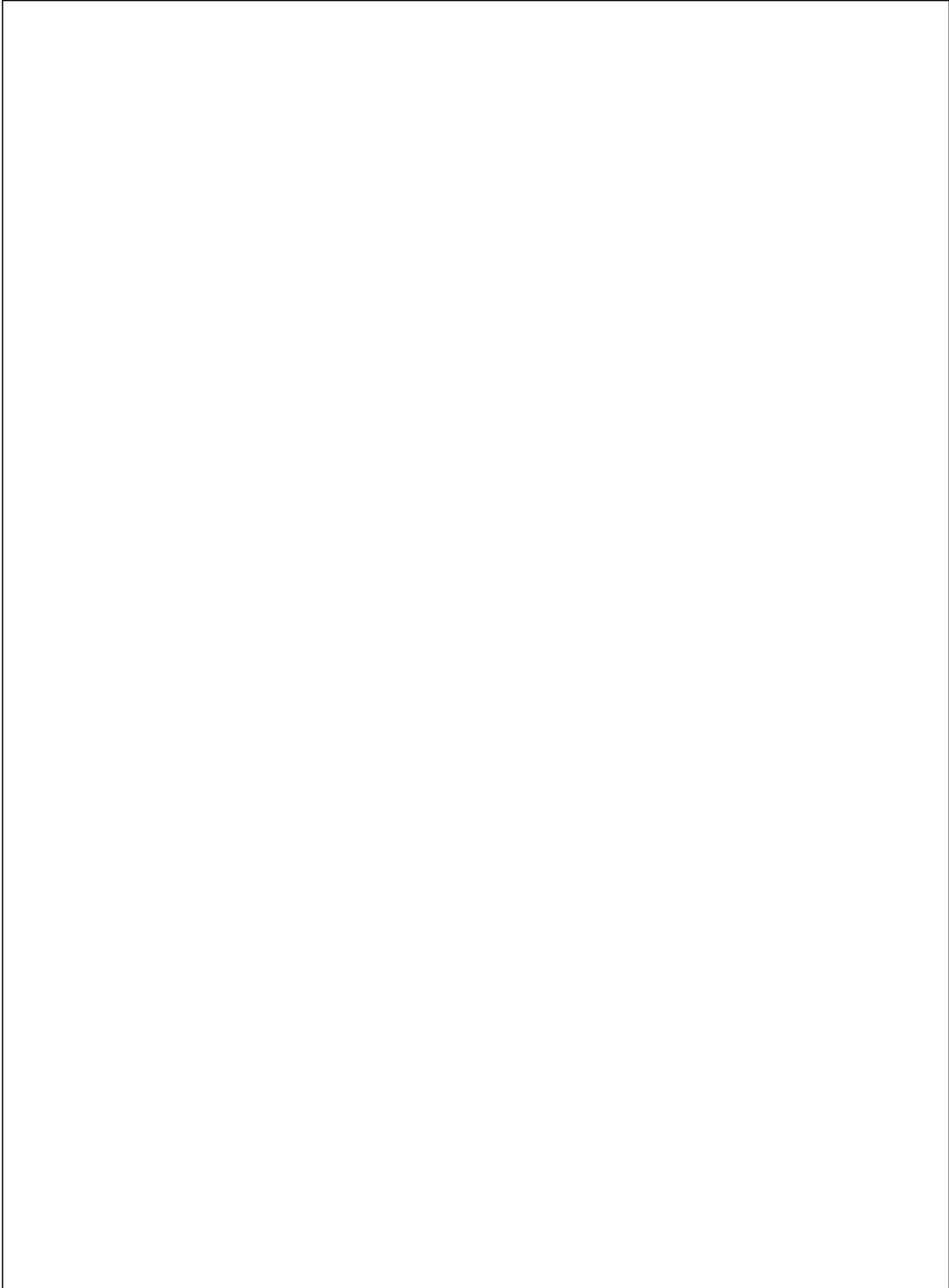


Fig.6 Radiation Diagram



LIGHT

LIGHT ELECTRONICS CO., LTD.

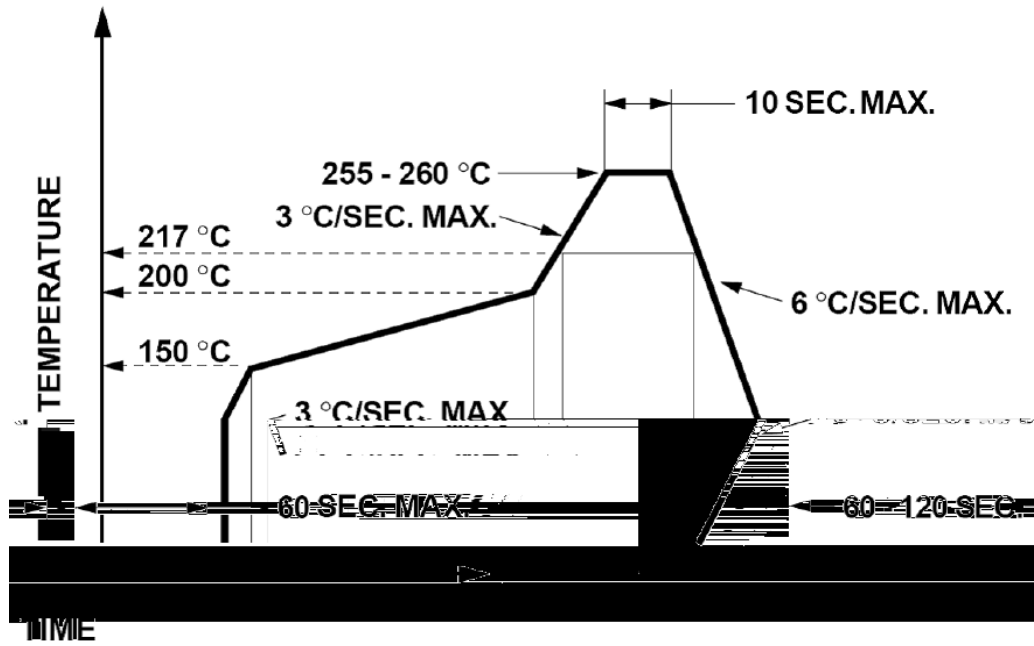


--	--	--	--



LIG

LIGHT ELECTRONICS CO., LTD.

°C

